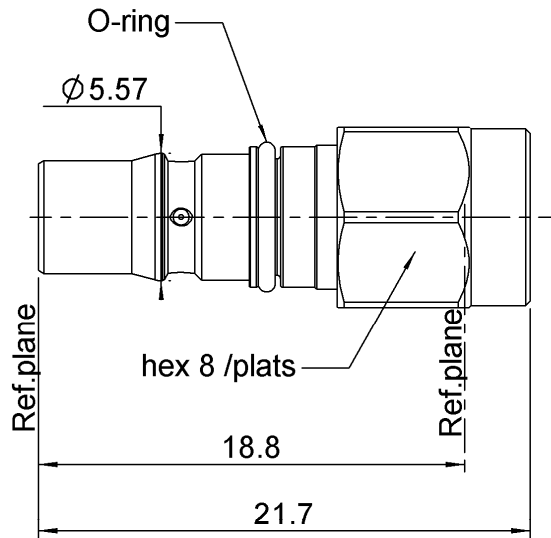


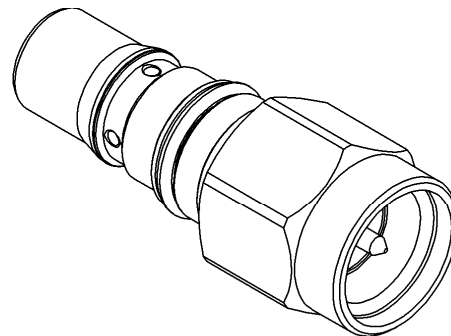
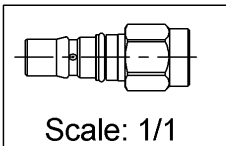
**QRE FEMALE - SMA MALE STRAIGHT ADAPTER**

**R191.927.L01**

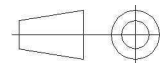
Série : ADAPT



ASPECT MAT  
MAT ASPECT



All dimensions are in mm.



COMPONENTS	MATERIALS	PLATING (µm)
BODY	STAINLESS STEEL (316L)	PASSIVATED
CENTER CONTACT	BERYLLIUM COPPER	GOLD 2.5 OVER NICKEL 2
OUTER CONTACT	-	-
INSULATOR	PTFE	-
GASKET	FLUORO SILICON	-
OTHERS PARTS	STAINLESS STEEL (316L)	PASSIVATED
-	-	-
-	-	-

Issue : 0912      **B**

In the effort to improve our products, we reserve the rights to make changes judged to be necessary.



**QRE FEMALE - SMA MALE STRAIGHT ADAPTER**

**R191.927.L01**

Série : ADAPT

**PACKAGING**

**SPECIFICATION**

Standard	Unit	Other
<b>1</b>		<b>Contact us</b>

**ELECTRICAL CHARACTERISTICS**

**ENVIRONMENTAL**

Impedance		<b>50</b> Ω
Frequency		<b>0-12.4</b> GHz
VSWR	<b>1.035</b> +	<b>0,0150</b> x F(GHz) Maxi
Insertion loss		<b>0.07</b> √F(GHz) dB Maxi
RF leakage	- (	<b>*</b> - F(GHz)) dB Maxi
Voltage rating		<b>500</b> Veff Maxi
Dielectric withstanding voltage		<b>1000</b> Veff mini
Insulation resistance		<b>5000</b> MΩ mini

Operating	<b>-55/+165</b> °C
Hermetic seal	<b>NA</b> Atm.cm3/s
Panel leakage	<b>NA</b>

**MECHANICAL CHARACTERISTICS**

**OTHER CHARACTERISTICS**

Center contact retention		
Axial force – Mating end		<b>27</b> N mini
Axial force – Opposite end		<b>27</b> N mini
Torque		<b>2.8</b> N.cm mini

\*RF leakage: 95 @ 3GHz / 80 @ 12.4 GHz

For information :

\_ O-ring gasket must be changed after 50 mating cycles

Recommended torque		
Mating	<b>QRE</b>	<b>0</b> N.cm
	<b>SMA</b>	<b>60</b> N.cm
		<b>0</b> N.cm
Panel nut		N.cm

Mating life		<b>100</b> Cycles mini
Weight		<b>3,4500</b> g

Issue : 0912 **B**

In the effort to improve our products, we reserve the rights to make changes judged to be necessary.

