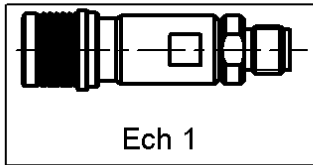
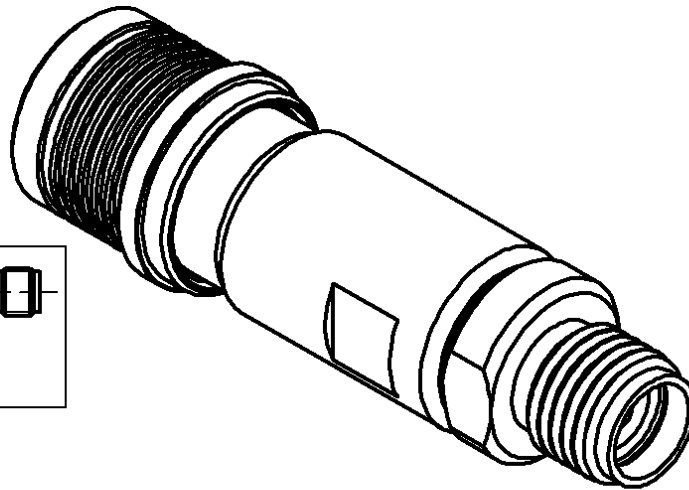
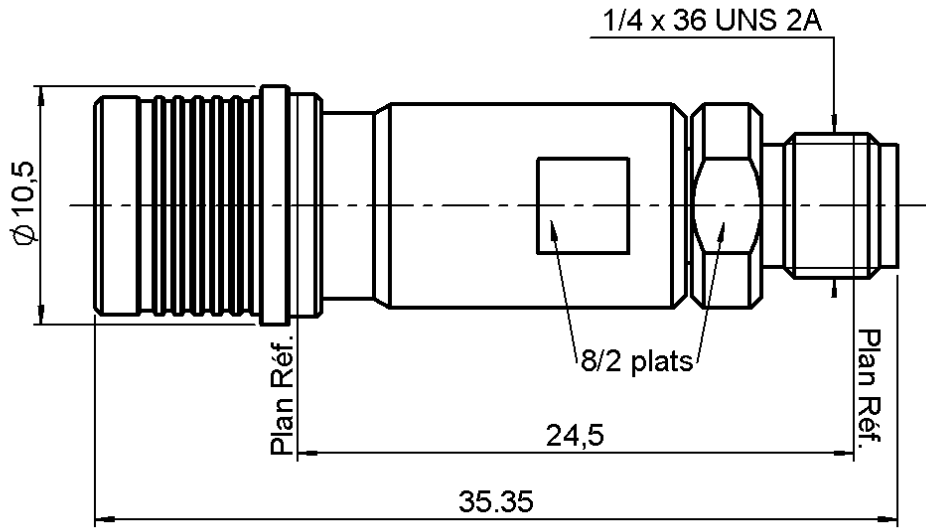


**QMA MALE - SMA 3.5 FEMALE STRAIGHT ADAPT**

**R191.915.700**

Série : ADAPT-MES



All dimensions are in mm.

COMPONENTS	MATERIALS	PLATINGS (µm)
BODY	STAINLESS STEEL	PASSIVATED .
CENTER CONTACT	BERYLLIUM COPPER	GOLD 1.3 OVER NICKEL 2
OUTER CONTACT	BRONZE	BBR 2
INSULATOR	Q200-5	
GASKET		
OTHERS PARTS		
-	-	-
-	-	-

Issue : 0408 C

In the effort to improve our products, we reserve the rights to make changes judged to be necessary.



**QMA MALE - SMA 3.5 FEMALE STRAIGHT ADAPT**

**R191.915.700**

Série : ADAPT-MES

**PACKAGING**

**SPECIFICATION**

Standard	Unit	Other
<b>1</b>	-	<b>Contact us</b>

**ELECTRICAL CHARACTERISTICS**

**ENVIRONMENTAL**

Impedance		<b>50</b> Ω
Frequency		<b>0-20</b> GHz
VSWR	<b>1.07</b> +	<b>0.006</b> x F(GHz) Maxi
Insertion loss		<b>0.05</b> √F(GHz) dB Maxi
RF leakage	- (	<b>NA</b> - F(GHz)) dB Maxi
Voltage rating		<b>250</b> Veff Maxi
Dielectric withstanding voltage		<b>750</b> Veff mini
Insulation resistance		<b>5000</b> MΩ mini

Operating	<b>-40/+80</b> °C
Hermetic seal	<b>NA</b> Atm.cm3/s
Panel leakage	<b>NA</b>

**MECHANICAL CHARACTERISTICS**

**OTHERS CHARACTERISTICS**

Center contact retention		
Axial force – Mating end		<b>27</b> N mini
Axial force – Opposite end		<b>27</b> N mini
Torque		<b>NA</b> N.cm mini
Recommended torque		
Mating	<b>QMA</b>	<b>0</b> N.cm
	<b>SMA3.</b>	<b>120</b> N.cm
		<b>0</b> N.cm
Panel nut		N.cm
Mating life		<b>150</b> Cycles mini
Weight		<b>11.520</b> g

Issue : 0408 C

In the effort to improve our products, we reserve the rights to make changes judged to be necessary.

