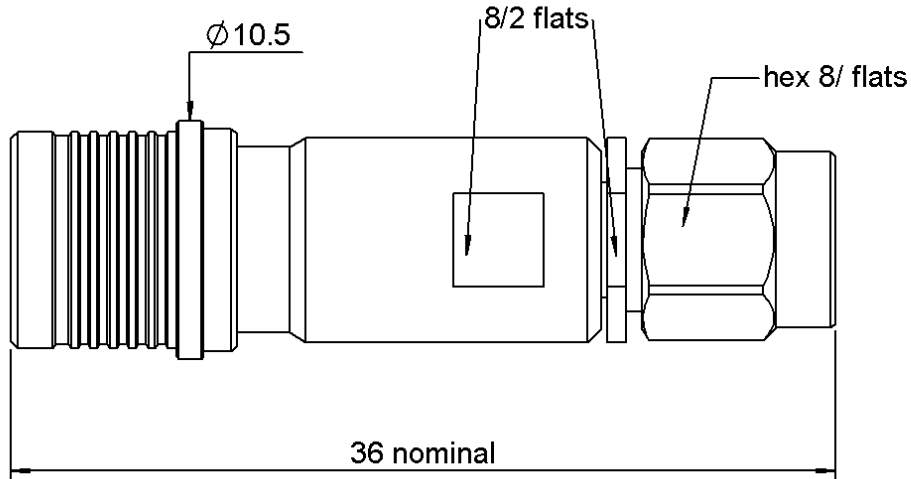


QMA MALE - SMA 3.5 MALE STRAIGHT ADAPTER

R191.914.700

Série : ADAPT-MES



All dimensions are in mm.



COMPONENTS	MATERIALS	PLATINGS (µm)
BODY	STAINLESS STEEL	PASSIVATED .
CENTER CONTACT	BERYLLIUM COPPER	GOLD 1.3 OVER NICKEL 2
OUTER CONTACT	BRONZE	BBR 2
INSULATOR	Q200-5	
GASKET	SILICONE RUBBER	
OTHERS PARTS	STAINLESS STEEL	PASSIVATED .
-	-	-
-	-	-

Issue : 0633 C

In the effort to improve our products, we reserve the rights to make changes judged to be necessary.



QMA MALE - SMA 3.5 MALE STRAIGHT ADAPTER

R191.914.700

Série : ADAPT-MES

PACKAGING

SPECIFICATION

Standard	Unit	Other
1	-	Contact us

ELECTRICAL CHARACTERISTICS

ENVIRONMENTAL

Impedance	50	Ω
Frequency	0-6	GHz
VSWR	1.07 + 0,0060	x F(GHz) Maxi
Insertion loss	0.05	\sqrt{F} (GHz) dB Maxi
RF leakage	- (NA)	- F(GHz) dB Maxi
Voltage rating	250	Veff Maxi
Dielectric withstanding voltage	750	Veff mini
Insulation resistance	5000	M Ω mini

Operating	-40/+80	$^{\circ}$ C
Hermetic seal	NA	Atm.cm3/s
Panel leakage	NA	

MECHANICAL CHARACTERISTICS

OTHERS CHARACTERISTICS

Center contact retention		
Axial force – Mating end	27	N mini
Axial force – Opposite end	27	N mini
Torque	NA	N.cm mini
Recommended torque		
Mating	QMA	0 N.cm
	SMA3.	120 N.cm
		0 N.cm
Panel nut		N.cm
Mating life	150	Cycles mini
Weight	12,3530	g

Issue : 0633 C

In the effort to improve our products, we reserve the rights to make changes judged to be necessary.

