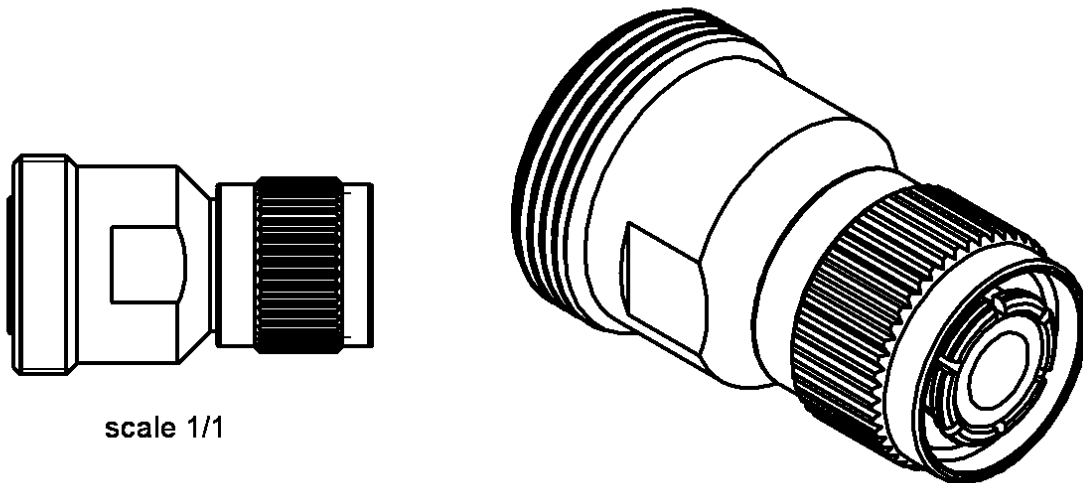
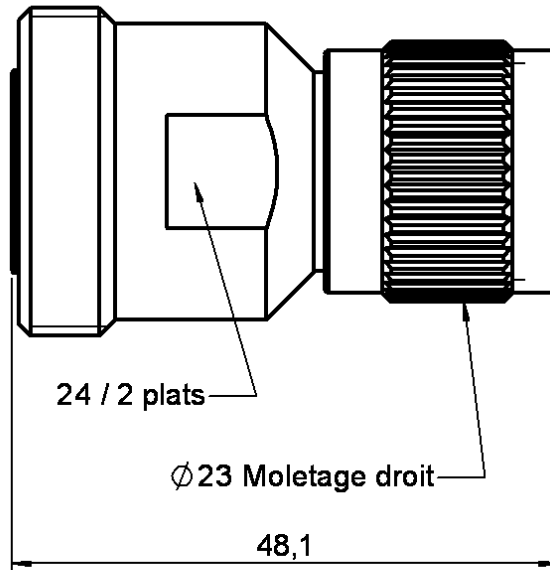


ADAPTOR 7/16 FEMALE - HN MALE

R191.908.000

Série : ADAPT



scale 1/1

All dimensions are in mm.



COMPONENTS	MATERIALS	PLATINGS (µm)
BODY	BRASS	BBR 0.5 OVER SILVER 3
CENTER CONTACT	BERYLLIUM COPPER, BRASS	SILVER 5 OVER COPPER 0.5
OUTER CONTACT	BRASS	SILVER 5 OVER COPPER 0.5
INSULATOR	PTFE	
GASKET	SILICONE RUBBER	
OTHERS PARTS	BRASS	BBR 2
-	-	-
-	-	-

Issue : 0218 A

In the effort to improve our products, we reserve the rights to make changes judged to be necessary.



ADAPTOR 7/16 FEMALE - HN MALE

R191.908.000

Série : ADAPT

PACKAGING

SPECIFICATION

Standard	Unit	Other
	'W' option	Contact us

ELECTRICAL CHARACTERISTICS

Impedance		50 Ω
Frequency		0-3 GHz
VSWR	1.35 +	0.000 x F(GHz) Maxi
Insertion loss		0.05 √F(GHz) dB Maxi
RF leakage	- (NA - F(GHz)) dB Maxi
Voltage rating		2700 Veff Maxi
Dielectric withstanding voltage		4000 Veff mini
Insulation resistance		10000 MΩ mini

ENVIRONMENTAL

Operating	-55/+155 °C
Hermetic seal	NA Atm.cm3/s
Panel leakage	NA

MECHANICAL CHARACTERISTICS

Center contact retention	
Axial force – Mating end	68 N mini
Axial force – Opposite end	68 N mini
Torque	NA N.cm mini
Recommended torque	
Mating	0 N.cm
	0 N.cm
	0 N.cm
Panel nut	NA N.cm
Mating life	500 Cycles mini
Weight	106.400 g

OTHERS CHARACTERISTICS

Issue : 0218 A

In the effort to improve our products, we reserve the rights to make changes judged to be necessary.

