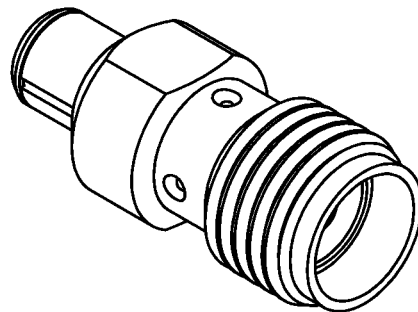
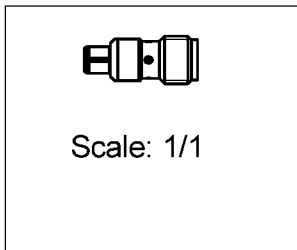
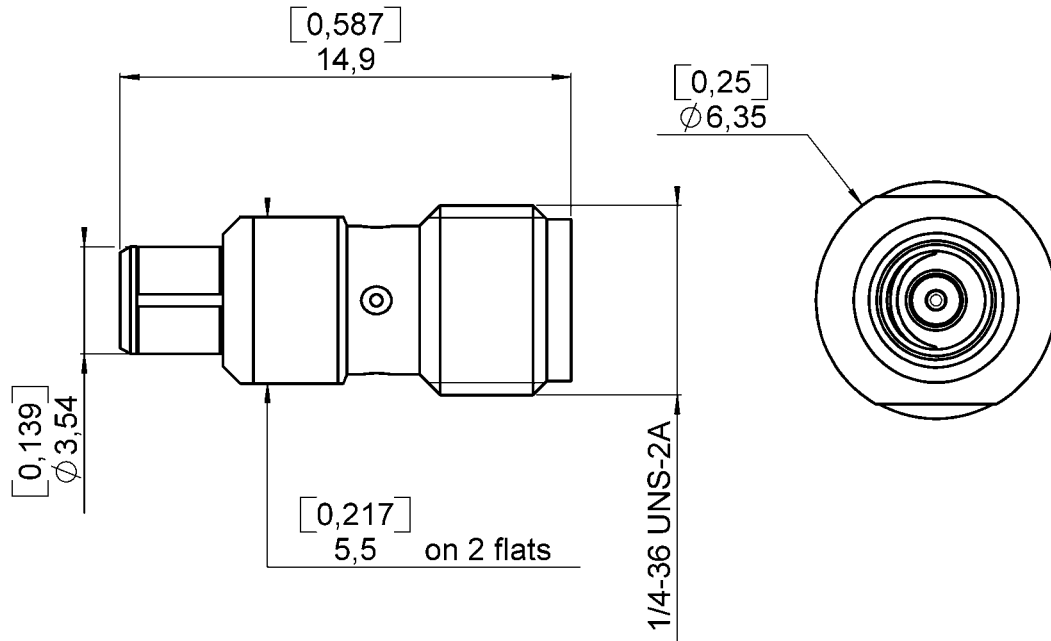


**ADAPTATOR MOEBIUS MALE-SMA FEMALE**

**R191.857.000**

Série : MOEBIUS



All dimensions are in mm.



COMPONENTS	MATERIALS	PLATING ( $\mu\text{m}$ )
BODY	BRASS	NPGR
CENTER CONTACT	BERYLLIUM COPPER	NPGR
OUTER CONTACT	-	-
INSULATOR	PTFE	-
GASKET	-	-
OTHERS PARTS	BERYLLIUM COPPER	NPGR
-	-	-
-	-	-

Issue : 0739 A

In the effort to improve our products, we reserve the rights to make changes judged to be necessary.



**ADAPTATOR MOEBIUS MALE-SMA FEMALE**

**R191.857.000**

Série : **MOEBIUS**

**PACKAGING**

**SPECIFICATION**

Standard	Unit	Other
<b>1</b>	-	<b>Contact us</b>

**ELECTRICAL CHARACTERISTICS**

**ENVIRONMENTAL**

Impedance	<b>50</b>	$\Omega$
Frequency	<b>0-6</b>	GHz
VSWR	<b>1.1 + 0,0400</b>	x F(GHz) Maxi
Insertion loss	<b>0.1</b>	$\sqrt{F}$ (GHz) dB Maxi
RF leakage	- ( <b>NA</b> )	- F(GHz) dB Maxi
Voltage rating	<b>500</b>	Veff Maxi
Dielectric withstanding voltage	<b>1000</b>	Veff mini
Insulation resistance	<b>1000</b>	M $\Omega$ mini

Operating	<b>-40/+110</b>	$^{\circ}$ C
Hermetic seal	<b>NA</b>	Atm.cm3/s
Panel leakage	<b>NA</b>	

**MECHANICAL CHARACTERISTICS**

**OTHER CHARACTERISTICS**

Center contact retention		
Axial force – Mating end	<b>18</b>	N mini
Axial force – Opposite end	<b>18</b>	N mini
Torque	<b>2.8</b>	N.cm mini
Recommended torque		
Mating	<b>MOEB</b>	<b>0</b> N.cm
	<b>SMA-</b>	<b>60</b> N.cm
		<b>0</b> N.cm
Panel nut		N.cm
Mating life	<b>10000</b>	Cycles mini
Weight	<b>0,6500</b>	g

Warning , the mating life is indicated for MOEBIUS

Issue : 0739 A

In the effort to improve our products, we reserve the rights to make changes judged to be necessary.

