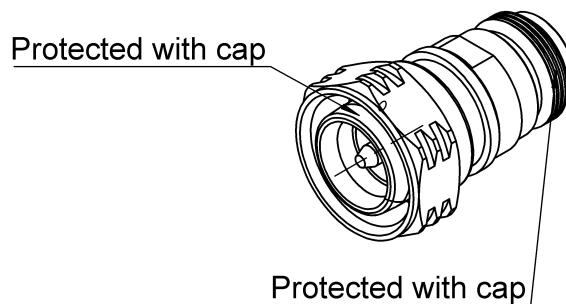
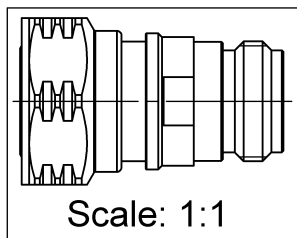
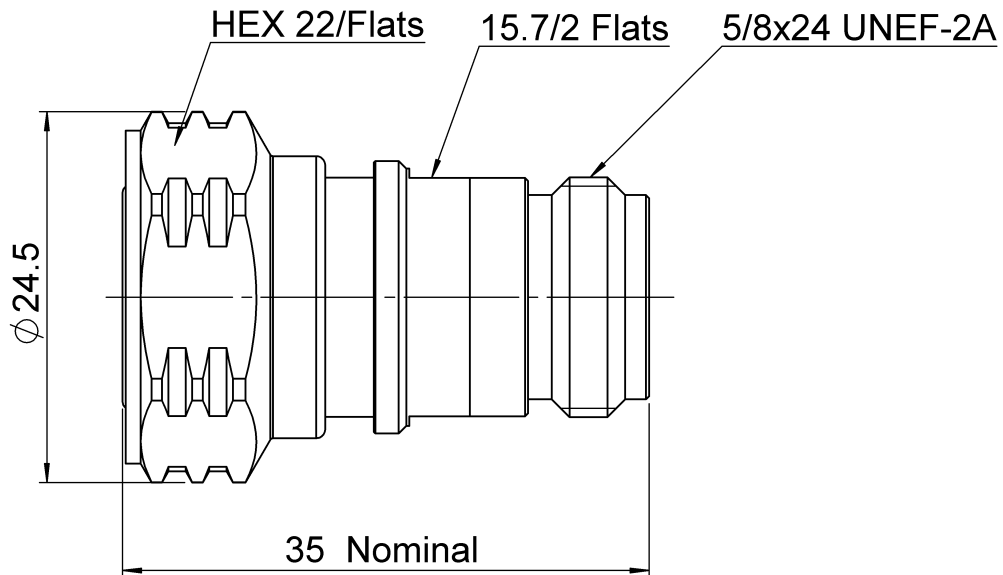
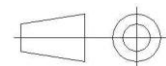


PAGE 1/2	ISSUE 17-11-15B	SERIES ADAPTER	PART NUMBER R191591017
----------	-----------------	----------------	------------------------



All dimensions are in mm.



COMPONENTS	MATERIALS	PLATING ( $\mu\text{m}$ )
Body	<b>BRASS</b>	<b>BBR</b>
Center contact	<b>BRONZE</b>	<b>SILVER</b>
Outer contact		
Insulator	<b>PTFE</b>	
Gasket	<b>SILICONE RUBBER</b>	
Others parts	<b>BRASS</b>	<b>BBR</b>
-	-	-
-	-	-

PAGE <b>2/2</b>	ISSUE <b>17-11-15B</b>	SERIES <b>ADAPTER</b>	PART NUMBER <b>R191591017</b>
-----------------	------------------------	--------------------------	-------------------------------

### PACKAGING

Standard	Unit	Other
<b>1</b>	<b>Contact us</b>	<b>Contact us</b>

### ELECTRICAL CHARACTERISTICS

Impedance		<b>50</b>	$\Omega$
Frequency		<b>0-6</b>	GHz
VSWR	<b>1.05</b>	<b>+</b>	<b>0.0000</b> x F(GHz) Maxi
Insertion loss		<b>0.05</b>	$\sqrt{F}$ (GHz) dB Maxi
RF leakage	<b>- (</b>	<b>NA</b>	- F(GHz) dB Maxi
Voltage rating		<b>1000</b>	Veff Maxi
Dielectric withstanding voltage		<b>2000</b>	Veff mini
Insulation resistance		<b>5000</b>	M $\Omega$ mini

### ENVIRONMENTAL

Operating	<b>-55~+90</b>	$^{\circ}\text{C}$
Hermetic seal	<b>NA</b>	Atm.cm3/s
Panel leakage	<b>NA</b>	

### MECHANICAL CHARACTERISTICS

Center contact retention			
Axial force – Mating End		<b>30</b>	N mini
Axial force – Opposite end		<b>30</b>	N mini
Torque		<b>NA</b>	N.cm mini
Recommended torque			
Mating		<b>NA</b>	N.cm
Panel nut		<b>NA</b>	N.cm
Mating life		<b>100</b>	Cycles mini
Weight		<b>49.6000</b>	g

### SPECIFICATION

### OTHER CHARACTERISTICS

**PIM3<-123dBm under 2 carriers of +43dBm@1800MHz**