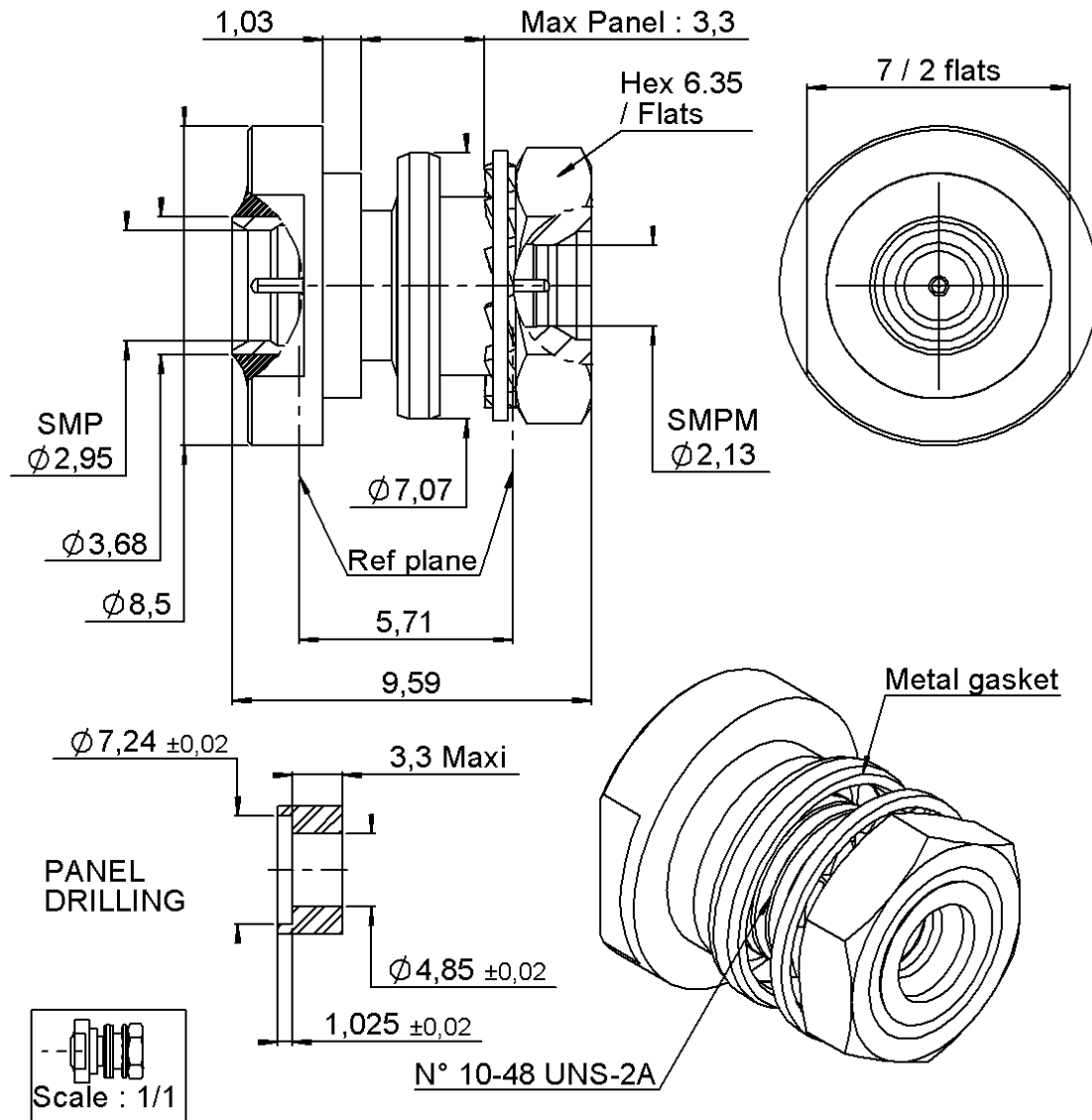


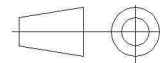
**BULKHEAD HERMETICAL ADAPTATOR**  
**SMP FULL DETENT - SMPM FULL DETENT**

**R191.570.100**

Series : ADAPT



All dimensions are in mm.



COMPONENTS	MATERIALS	PLATING ( $\mu\text{m}$ )
BODY	DILVER P + STAINLESS STILL	GOLD 0.5 OVER NICKEL 2
CENTER CONTACT	DILVER P + BERYLLIUM COPPER	GOLD 1.27 OVER NICKEL 1.27
OUTER CONTACT	-	-
INSULATOR	GLASS BEAD + PEEK	-
GASKET	A-G4MC	-
OTHERS PARTS	STEEL	PASSIVATION
-	-	-
-	-	-

Issue : 1125 A

In the effort to improve our products, we reserve the right to make changes judged to be necessary.



**BULKHEAD HERMETICAL ADAPTATOR**  
**SMP FULL DETENT - SMPM FULL DETENT**

**R191.570.100**

Series : ADAPT

**PACKAGING**

Standard	Unit	Other
<b>1</b>	-	<b>Contact us</b>

**SPECIFICATION**

**ELECTRICAL CHARACTERISTICS**

Impedance	<b>50</b>	$\Omega$
Frequency	<b>0-40</b>	GHz
VSWR	<b>1.55*</b> + <b>0,0000</b>	x F(GHz) Maxi
Insertion loss	<b>0.12</b>	$\sqrt{F}(\text{GHz})$ dB Maxi
RF leakage	- ( <b>NA</b> )	- F(GHz)) dB Maxi
Voltage rating	<b>335</b>	Veff Maxi
Dielectric withstanding voltage	<b>500</b>	Veff mini
Insulation resistance	<b>5000</b>	M $\Omega$ mini

**ENVIRONMENTAL**

Operating temperature	<b>-65/+165</b>	$^{\circ}\text{C}$
Hermetic seal	<b>10-8</b>	Atm.cm <sup>3</sup> /s
Panel leakage	<b>NA</b>	

**OTHER CHARACTERISTICS**

Assembly instruction

Others :

\*1.3 at 18 Ghz

**MECHANICAL CHARACTERISTICS**

Center contact retention		
Axial force – Mating end	<b>6.8</b>	N mini
Axial force – Opposite end	<b>6.8</b>	N mini
Torque	<b>NA</b>	N.cm mini
Recommended torque		
Mating	<b>NA</b>	N.cm
Panel nut	<b>60</b>	N.cm
Mating life	<b>500</b>	Cycles mini
Weight	<b>1,6800</b>	g

Issue : 1125 A

In the effort to improve our products, we reserve the right to make changes judged to be necessary.

**RADIALL** 