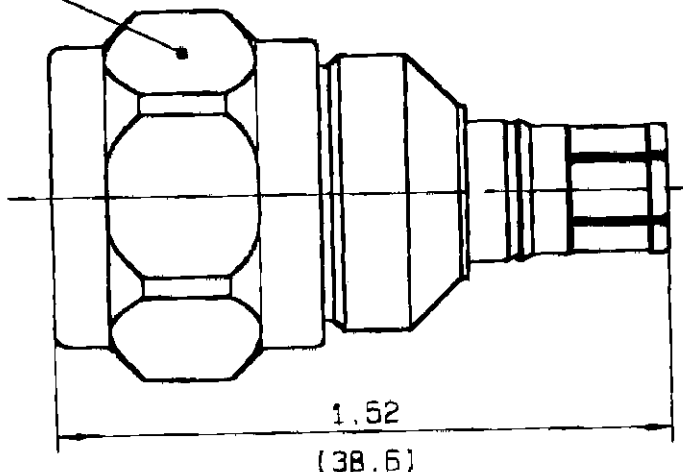


**BNC MALE PUSH-ON - N MALE
STRAIGHT ADAPTER**

R191.417.500
SERIES ADAPT

HEX 0.812 FLATS
(HEX 20.62 PLATS)



NOMINAL IMPEDANCE	50 Ω
FREQUENCY RANGE	0-4 GHz
TEMPERATURE RATING	-55/+156 °C
V.S.W.R	1.05 + .025 x F(GHz)Maxi
RF INSERTION LOSS	0.05 \sqrt{F} (GHz) dB Maxi
VOLTAGE RATING	1000 Veff Maxi
DIELECTRIC WITHSTANDING VOLTAGE	1500 Veff Mini
INSULATION RESISTANCE	5000 M Ω Mini
HERMETIC SEAL	NA Atm.cm ³ /s
LEAKAGE (pressurized only)	NA
MECHANICAL DURABILITY	500 Cycles
WEIGHT	0 Oz
SPECIFICATION	

CABLES :	
OTHERS CHARACTERISTICS	
CABLE RETENTION	0 lb Mini
CENTER CONTACT RETENTION	
Axial force - mating end	6.06 lb Mini
Axial force - opposite end	6.06 lb Mini
Torque	NA Inch.oz
RECOMMENDED TORQUES	
Mating	37.88 Inch.lb
Panel nut	NA Inch.lb
Clamp nut	NA Inch.lb

CONNECTOR PARTS	MATERIALS	FINISH	(all values are given in microinch)
BODY	BRASS	NICKEL 80	
OUTER CONTACT	BRASS	NICKEL 80	
CENTER CONTACT	BRASS	GOLD 20 OVER NICKEL 80	
INSULATOR	PTFE	-	
GASKET	SILICONE RUBBER	-	
OTHERS PIECES	BRASS	NICKEL 80	

ISSUE	CREATION DATE	FILE PART-NUMBER
0205B00	18-MAR-98	93-0400-145



Connect to the future

MASTRIANO

The information given here is subject to change without notice.
Design changes may be in order to improve the product.