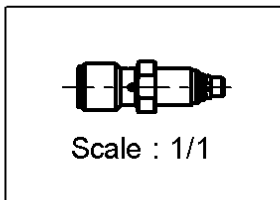
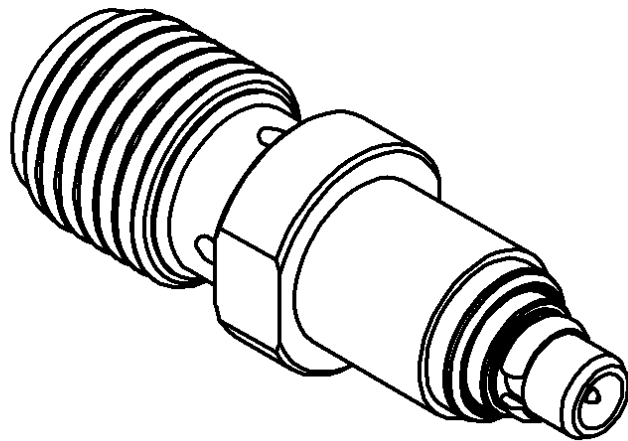
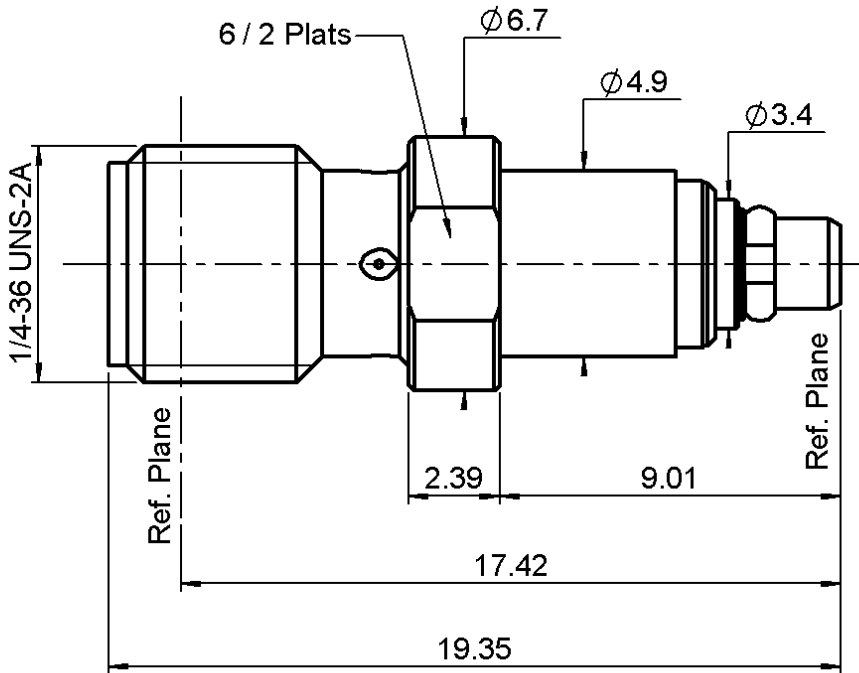


SMA FEMALE - MMCX MALE STRAIGHT ADAPTER

R191.398.090

LG=19.35mm

Série : ADAPT



All dimensions are in mm.



| COMPONENTS | MATERIALS | PLATINGS (µm) |
|----------------|------------------|------------------------|
| BODY | BRASS | GOLD 0.2 OVER NICKEL 2 |
| CENTER CONTACT | BERYLLIUM COPPER | GOLD 1.3 OVER NICKEL 2 |
| OUTER CONTACT | BERYLLIUM COPPER | GOLD 0.5 OVER NICKEL 2 |
| INSULATOR | PTFE | |
| GASKET | | |
| OTHERS PARTS | | |
| - | - | - |
| - | - | - |

Issue : 0303 A

In the effort to improve our products, we reserve the rights to make changes judged to be necessary.



SMA FEMALE - MMCX MALE STRAIGHT ADAPTER

R191.398.090

LG=19.35mm

Série : ADAPT

PACKAGING

SPECIFICATION

| Standard | Unit | Other |
|------------|-------------------|-------------------|
| 100 | 'W' option | Contact us |

ELECTRICAL CHARACTERISTICS

ENVIRONMENTAL

| | | |
|---------------------------------|---------------------|-----------------------------|
| Impedance | | 50 Ω |
| Frequency | | 0-6 GHz |
| VSWR | 1.22 + 0.000 | x F(GHz) Maxi |
| Insertion loss | | 0.1 √F(GHz) dB Maxi |
| RF leakage | - (| NA - F(GHz)) dB Maxi |
| Voltage rating | | 250 Veff Maxi |
| Dielectric withstanding voltage | | 500 Veff mini |
| Insulation resistance | | 500 MΩ mini |

| | |
|---------------|---------------------|
| Operating | -55/+155 °C |
| Hermetic seal | NA Atm.cm3/s |
| Panel leakage | NA |

MECHANICAL CHARACTERISTICS

OTHERS CHARACTERISTICS

| | | |
|----------------------------|-------------|------------------------|
| Center contact retention | | |
| Axial force – Mating end | | 27 N mini |
| Axial force – Opposite end | | 27 N mini |
| Torque | | 2.8 N.cm mini |
| Recommended torque | | |
| Mating | SMA- | 0 N.cm |
| | MMC | 0 N.cm |
| | | 0 N.cm |
| Panel nut | | N.cm |
| Mating life | | 500 Cycles mini |
| Weight | | 2.200 g |

Issue : 0303 A

In the effort to improve our products, we reserve the rights to make changes judged to be necessary.

