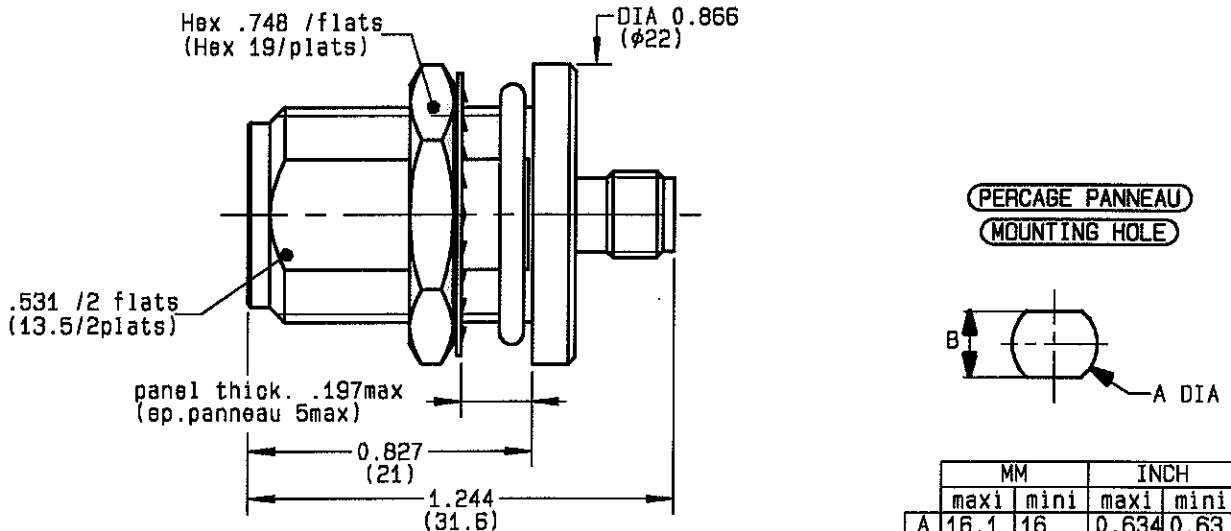


ADAPTER BETWEEN N SERIES FEMALE - SMA SERIES FEMALE  
STRAIGHT BULKHEAD PANEL SEAL

82-021-015



CABLES : -

CHARACTERISTICS

NOMINAL IMPEDANCE	50 Ω
FREQUENCY RANGE	0-11 GHz
TEMPERATURE RATING	-55/+155 °C
VSWR	1.20 + - x F(GHz)Maxi
RF INSERTION LOSS	TBD √F(GHz) dB Maxi
VOLTAGE RATING	500 Vrms Max
DIELECTRIC WITHSTANDING VOLTAGE	1500 Vrms min
INSULATION RESISTANCE	5000 MΩ min
HERMETIC SEAL	- cc/s - Atm.cm3/s
LEAKAGE (pressurized only)	- psi - MPa
WEIGHT	1.4286 Oz 40 g

STANDARDISATION

CABLE RETENTION

CENTER CONTACT RETENTION

Axial force - mating end	6.06 <sup>27</sup>	lb min N
Axial force - opposite end	6.06 <sup>27</sup>	lb min N
Torque (Min)	0	Inch.oz cm.N

RECOMMENDED TORQUES

Mating	0	Inch.lb cm.N
Panel nut	44.25 <sup>500</sup>	Inch.lb cm.N
Clamp nut	0	Inch.lb cm.N

CONSTRUCTION

CONNECTOR PARTS	MATERIALS	FINISH
BODY	BRASS	BLACK CHROMIUM
OUTER CONTACT	-	-
CENTER CONTACT	BERYLLIUM COPPER	GOLD
INSULATOR	PTFE	-
SMA BODY	BERYLLIUM COPPER	BLACK CHROMIUM
O-RING	SILICONE RUBBER	-
METALLIC COMPONENTS	BRASS	BLACK CHROMIUM
-	-	-
-	-	-

ISSUE	REVISION No	DESCRIPTION	BY	DATE
-	-	-	-	-
9530	95.06.029	Insertion force N socket .N new range .	BONOMINI	27-07-95

Initiated on 27/07/95  
Approval by Constantin

The information given here is subject to change without notice. Design changes may be in order to improve the product.



BONOMINI