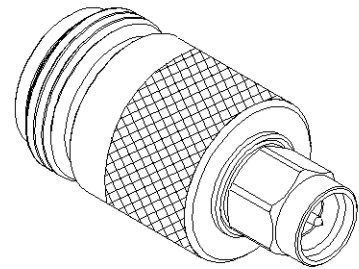
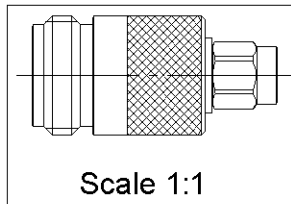
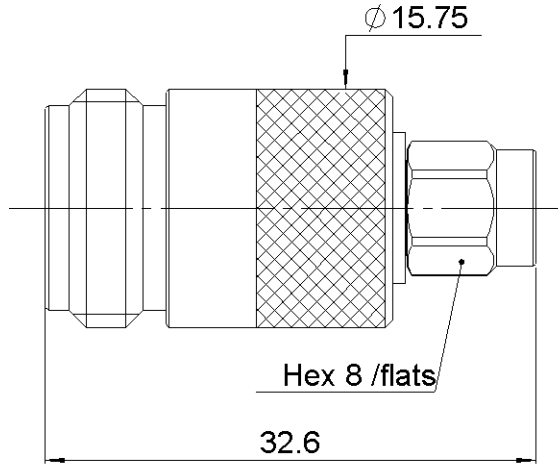
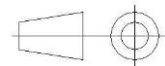


PAGE 1/2	ISSUE 07-12-16B	SERIES ADAPT	PART NUMBER R191327000
----------	-----------------	--------------	------------------------



All dimensions are in mm.



COMPONENTS	MATERIALS	PLATING ( $\mu\text{m}$ )
Body	<b>BERYLLIUM COPPER, BRASS</b>	<b>NICKEL .</b>
Center contact	<b>BERYLLIUM COPPER</b>	<b>GOLD OVER NICKEL</b>
Outer contact	--	--
Insulator	<b>PTFE</b>	
Gasket	<b>SILICONE RUBBER</b>	
Others parts	<b>BERYLLIUM COPPER</b>	<b>NICKEL .</b>
-	-	-
-	-	-

PAGE <b>2/2</b>	ISSUE <b>07-12-16B</b>	SERIES <b>ADAPT</b>	PART NUMBER <b>R191327000</b>
-----------------	------------------------	---------------------	-------------------------------

### PACKAGING

Standard	Unit	Other
<b>1</b>	-	<b>Contact us</b>

### ELECTRICAL CHARACTERISTICS

Impedance		<b>50</b>	$\Omega$
Frequency		<b>0-11</b>	GHz
VSWR	<b>1.30</b>	<b>+</b>	<b>0,0000</b> x F(GHz) Maxi
Insertion loss		<b>0.06</b>	$\sqrt{F}$ (GHz) dB Maxi
RF leakage		<b>101</b>	- F(GHz) dB Maxi
Voltage rating		<b>500</b>	Veff Maxi
Dielectric withstanding voltage		<b>1000</b>	Veff mini
Insulation resistance		<b>5000</b>	M $\Omega$ mini

### ENVIRONMENTAL

Operating	<b>-55/+155</b>	$^{\circ}\text{C}$
Hermetic seal	<b>NA</b>	Atm.cm3/s
Panel leakage	<b>NA</b>	

### MECHANICAL CHARACTERISTICS

Center contact retention			
Axial force – Mating End		<b>*18</b>	N mini
Axial force – Opposite end		<b>*18</b>	N mini
Torque		<b>NA</b>	N.cm mini

### SPECIFICATION

Recommended torque			
Mating	<b>N</b>	<b>0</b>	N.cm
	<b>SMA</b>	<b>100</b>	N.cm
	<b>-</b>	<b>0</b>	N.cm
Panel nut		<b>NA</b>	N.cm

### OTHER CHARACTERISTICS

\* out of SMA CDC.

Mating life		<b>500</b>	Cycles mini
Weight		<b>29,6100</b>	g