

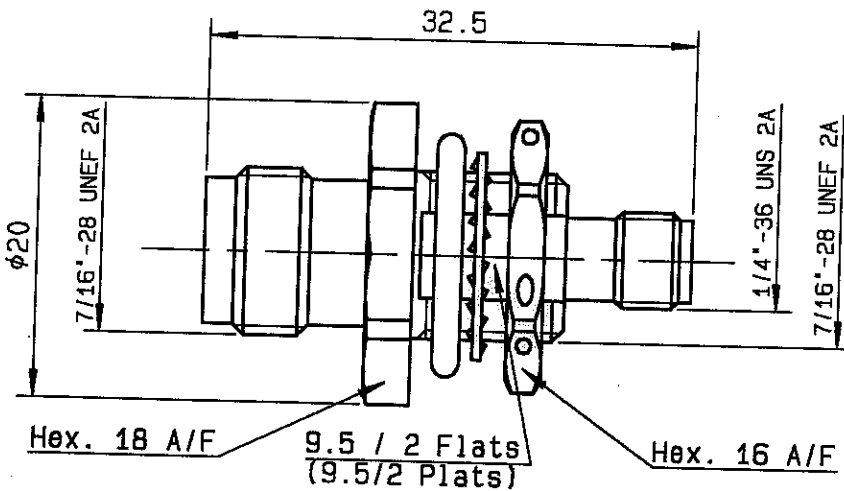
ADAPTOR TNC-F/SMA-F PANEL MOUNT HEX FLNG
EMI PANEL SEAL

Issue : 9509

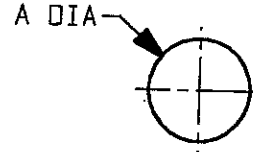
Page

Series : ADAPT

1 / 1



PERCAGE PANNEAU
MOUNTING HOLE



Hex. 18 A/F 9.5 / 2 Flats (9.5/2 Plats) Hex. 16 A/F

	MM		INCH	
	maxi	mini	maxi	mini
A	11.3	11.2	0.445	0.44

CABLES : -

CHARACTERISTICS

NOMINAL IMPEDANCE	50	Ω
FREQUENCY RANGE	0-12.4	GHz
TEMPERATURE RATING	-65/+125	°C
VSWR	1.05 + .08 x F(GHz)Max1	
RF INSERTION LOSS	TBD	√F(GHz) dB Max1
VOLTAGE RATING	500	Vrms Max
DIELECTRIC WITHSTANDING VOLTAGE	1000	Vrms min
INSULATION RESISTANCE	5000	M Ωmin
HERMETIC SEAL	NA	Atm.cm3/s
LEAKAGE (pressurized only)	NA	Mpa
WEIGHT	12	gr

APPLICABLE STANDARDS

MARCONI SPECIFICATION 25441-31414

CABLE RETENTION	NA	N min
CENTER CONTACT RETENTION		
Axial force - mating end	18.1	N min
Axial force - opposite end	18.1	N min
Torque (Min)	2.8	cm.N min
RECOMMENDED TORQUES		
Mating	NA	cm.N
Panel nut	700	cm.N
Clamp nut	-	cm.N

CONSTRUCTION

CONNECTOR PARTS	MATERIALS	FINISH
BODY	STAINLESS STEEL	PASSIVATED
OUTER CONTACT	-	-
CENTER CONTACT	BERYLLIUM COPPER	GOLD
INSULATOR	PTFE	-
NUT	STAINLESS STEEL	PASSIVATED
-	-	-
-	-	-
-	-	-
-	-	-

ISSUE	REVISION No	DESCRIPTION	BY	DATE
-	-	-	-	-
-	-	-	-	-
-	-	-	-	-
-	-	-	-	-

Initiated on 26/01/95

The information given here is subject to change without notice. Design changes may be in order to improve the product



Approval by CLAVEL.PHI