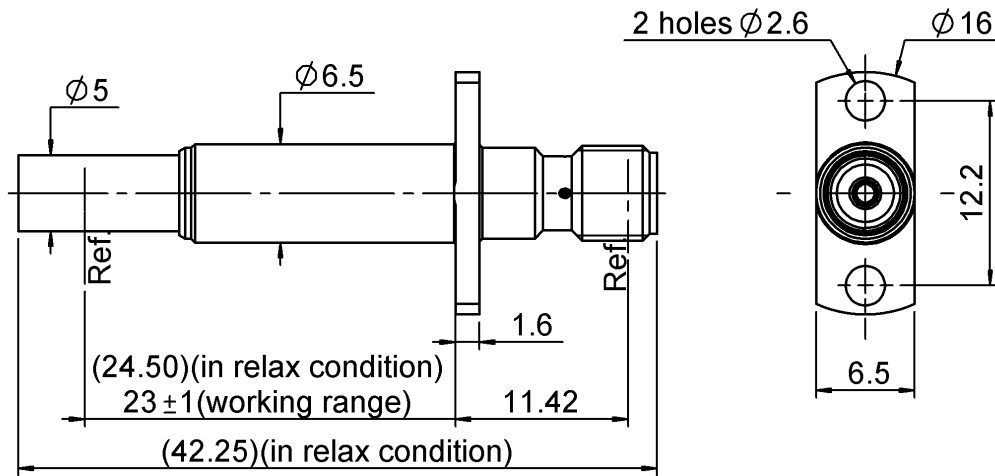
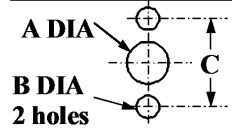


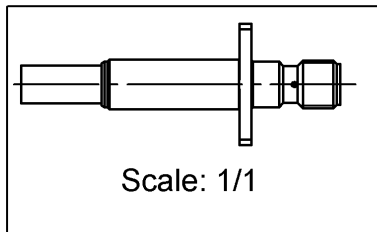
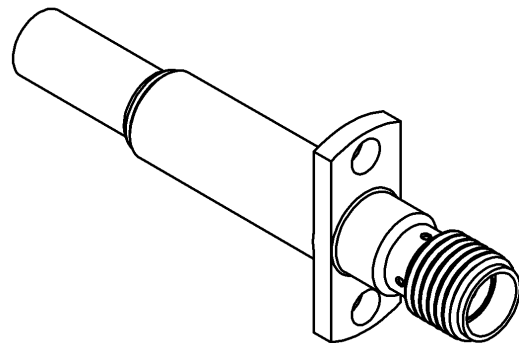
PAGE 1/3	ISSUE 1404A	SERIES ADAPT	PART NUMBER R191201800
----------	-------------	--------------	------------------------



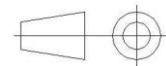
**PANEL CUT OUT**



	mm	
	Maxi	mini
A	6.8	6.75
B	2.7	2.6
C	12.25	12.15



All dimensions are in mm.



COMPONENTS	MATERIALS	PLATING (µm)
Body	<b>BRASS</b>	<b>GOLD OVER NICKEL, NPGR</b>
Center contact	<b>BERYLLIUM COPPER, BRASS</b>	<b>GOLD OVER NICKEL, NPGR</b>
Outer contact		
Insulator	<b>PTFE</b>	
Gasket		
Others parts	<b>STAINLESS STEEL</b>	
-	-	-
-	-	-

PAGE <b>2/3</b>	ISSUE <b>1404A</b>	SERIES <b>ADAPT</b>	PART NUMBER <b>R191201800</b>
-----------------	--------------------	---------------------	-------------------------------

**PACKAGING**

Standard	Unit	Other
<b>1</b>	<b>Contact us</b>	<b>Contact us</b>

**ELECTRICAL CHARACTERISTICS**

Impedance		<b>50</b>	Ω
Frequency		<b>0-4</b>	GHz
VSWR	<b>1.25*</b>	<b>+</b>	<b>0.000</b> x F(GHz) Maxi
Insertion loss			<b>0.15*</b> √F(GHz) dB Maxi
RF leakage		<b>- (</b>	<b>NA</b> - F(GHz) dB Maxi
Voltage rating			<b>NA</b> Veff Maxi
Dielectric withstanding voltage			<b>NA</b> Veff mini
Insulation resistance			<b>5000</b> MΩ mini

**ENVIRONMENTAL**

Operating	<b>-40/+80</b>	°C
Hermetic seal	<b>NA</b>	Atm.cm3/s
Panel leakage	<b>NA</b>	

**MECHANICAL CHARACTERISTICS**

Center contact retention			
Axial force – Mating End		<b>NA**</b>	N mini
Axial force – Opposite end		<b>NA</b>	N mini
Torque		<b>NA</b>	N.cm mini
Recommended torque			
Mating		<b>0</b>	N.cm
		<b>0</b>	N.cm
		<b>0</b>	N.cm
Panel nut			N.cm
Mating life	<b>100000</b>		Cycles mini
Weight	<b>6.950</b>		g

**SPECIFICATION**

**OTHER CHARACTERISTICS**

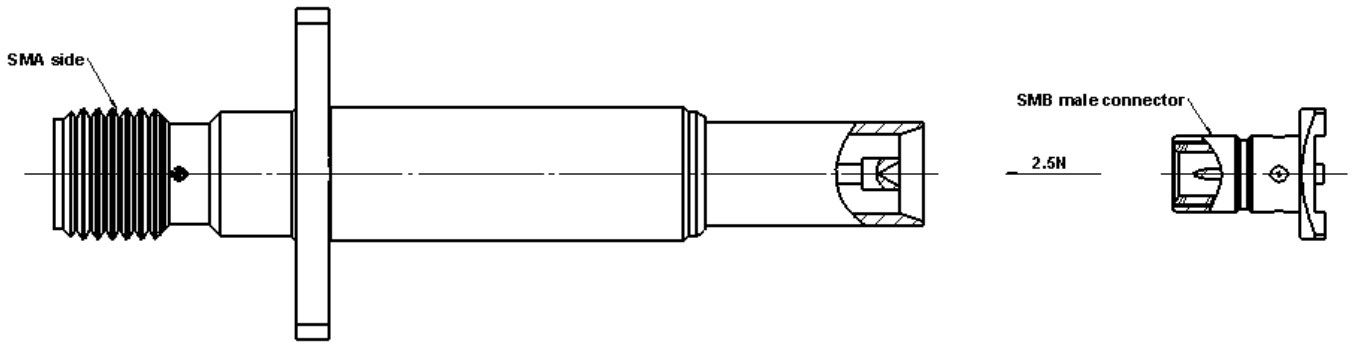
**\*VSWR :Up to 3GHz ; 3GHz~4GHz :1.35maxi**

**\*Coaxial Transmission Line Only**

**\*\*Action mating force for the spring : 6N max**

PAGE 3/3	ISSUE 1404A	SERIES ADAPT	PART NUMBER R191201800
----------	-------------	--------------	------------------------

**INSTRUCTION FOR USE**



1. Connect the SMA side of the adapter with the measurement test equipment.
2. Mate the SMB connector with the adapter by pushing the SMB connector with a minimum force of 2.5N.