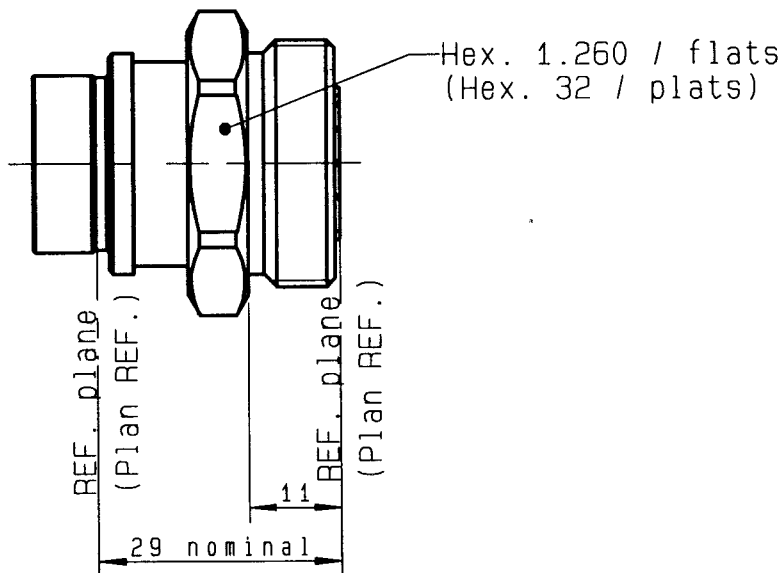


**JACK TO PLUG SLIDE ON  
P20**

**R185.791.500**

**SERIES**

**7-16**



NOMINAL IMPEDANCE	<b>50</b> $\Omega$
FREQUENCY RANGE	<b>0-8</b> GHz
TEMPERATURE RATING	<b>-65/+165</b> °C
V.S.W.R	<b>1.12</b> + x F(GHz)Maxi
RF INSERTION LOSS	<b>0.03</b> $\sqrt{F}$ (GHz) dB Maxi
VOLTAGE RATING	<b>2700</b> Veff Maxi
DIELECTRIC WITHSTANDING VOLTAGE	<b>4000</b> Veff Mini
INSULATION RESISTANCE	<b>10000</b> M $\Omega$ Mini
HERMETIC SEAL	<b>NA</b> Atm.cm <sup>3</sup> /s
LEAKAGE (pressurized only)	<b>NA</b>
MECHANICAL DURABILITY	<b>500</b> Cycles
WEIGHT	<b>96.7</b> gr

CABLES :

OTHERS CHARACTERISTICS

CABLE RETENTION	<b>NA</b>	N Mini
CENTER CONTACT RETENTION		
Axial force - mating end	<b>200</b>	N Mini
Axial force - opposite end	<b>200</b>	N Mini
Torque	<b>NA</b>	cm.N Mini
RECOMMENDED TORQUES		
Mating	<b>3000</b>	cm.N
Panel nut	<b>NA</b>	cm.N
Clamp nut	<b>NA</b>	cm.N

CONNECTOR PARTS:

MATERIALS

FINISH

(all values are given in micrometers)

BODY	BRASS	SILVER 3 OVER COPPER 0.5
OUTER CONTACT	BRASS	SILVER 5 OVER COPPER 0.5
CENTER CONTACT	BRASS	SILVER 5 OVER COPPER 0.5
INSULATOR	PTFE	-
GASKET		-
OTHERS PIECES		

POGN. .E

ISSUE  
**9935A00**

CREATION DATE  
**07/07/1999**

FILE PART-NUMBER  
**98-1200-600**



**RADIALL**®