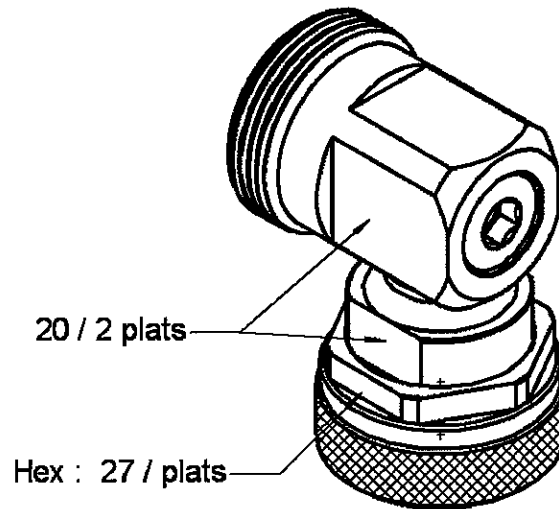
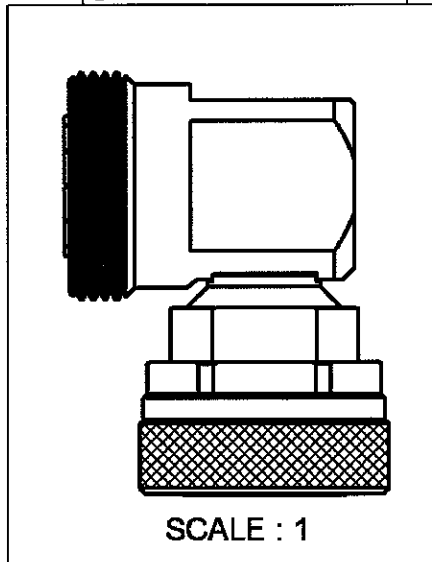
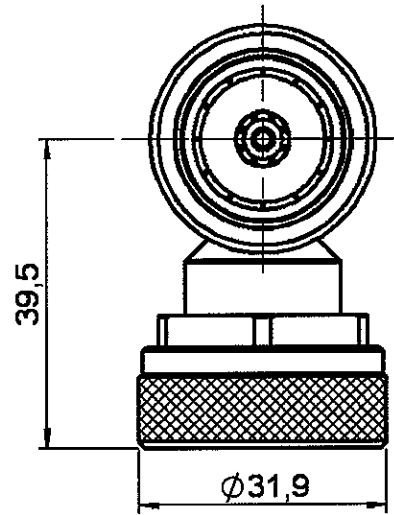
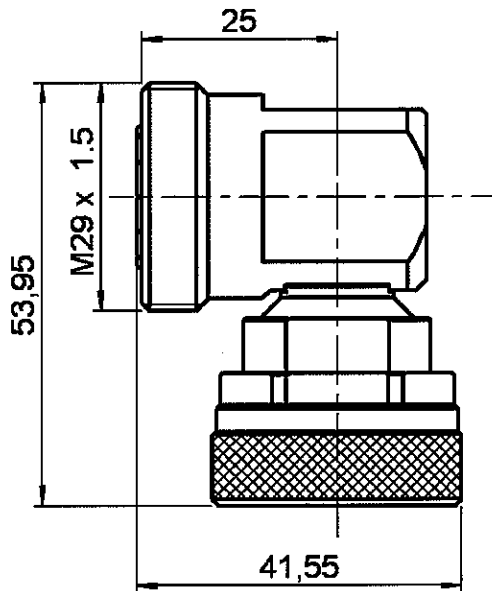


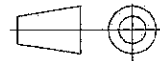
**RIGHT ANGLE ADAPTOR MALE FEMALE**

**R185.770.000**

Series : 7-16



All dimensions are in mm.



COMPONENTS	MATERIALS	PLATINGS (µm)
BODY	BRASS	BBR 0.5 OVER SILVER 3
CENTER CONTACT	BERYLLIUM COPPER, BRASS	SILVER 5 OVER COPPER 0.5
OUTER CONTACT	BRASS	SILVER 5 OVER COPPER 0.5
INSULATOR	PTFE	
GASKET	SILICONE RUBBER	
OTHERS PARTS	BRASS	BBR .
-	-	-
-	-	-

Issue : 0501 B

In the effort to improve our products, we reserve the right to make changes judged to be necessary.



**RIGHT ANGLE ADAPTOR MALE FEMALE**

**R185.770.000**

Series : 7-16

**PACKAGING**

**SPECIFICATION**

Standard	Unit	Other
1	-	Contact us

**ELECTRICAL CHARACTERISTICS**

**ENVIRONMENTAL**

Impedance		<b>50</b> Ω
Frequency		<b>0-7.5</b> GHz
VSWR	<b>1.20*</b> +	<b>0.000</b> x F(GHz) Maxi
Insertion loss		<b>0.07*</b> √F(GHz) dB Maxi
RF leakage	- (	<b>95</b> - F(GHz)) dB Maxi
Voltage rating		<b>1400</b> Veff Maxi
Dielectric withstanding voltage		<b>2700</b> Veff mini
Insulation resistance		<b>10000</b> MΩ mini

Operating temperature	<b>-55/+155</b> ° C
Hermetic seal	<b>NA</b> Atm.cm3/s
Panel leakage	<b>NA</b>

**OTHERS CHARACTERISTICS**

Assembly instruction

Others :

\* : 0-2GHz

**MECHANICAL CHARACTERISTICS**

Center contact retention		
Axial force – Mating end	<b>200</b>	N mini
Axial force – Opposite end	<b>100</b>	N mini
Torque	<b>2</b>	N.cm mini

Recommended torque		
Mating	<b>3000</b>	N.cm
Panel nut	<b>NA</b>	N.cm

Mating life	<b>500</b>	Cycles mini
Weight	<b>183.000</b>	g

Issue : 0501 B

In the effort to improve our products, we reserve the right to make changes judged to be necessary.

