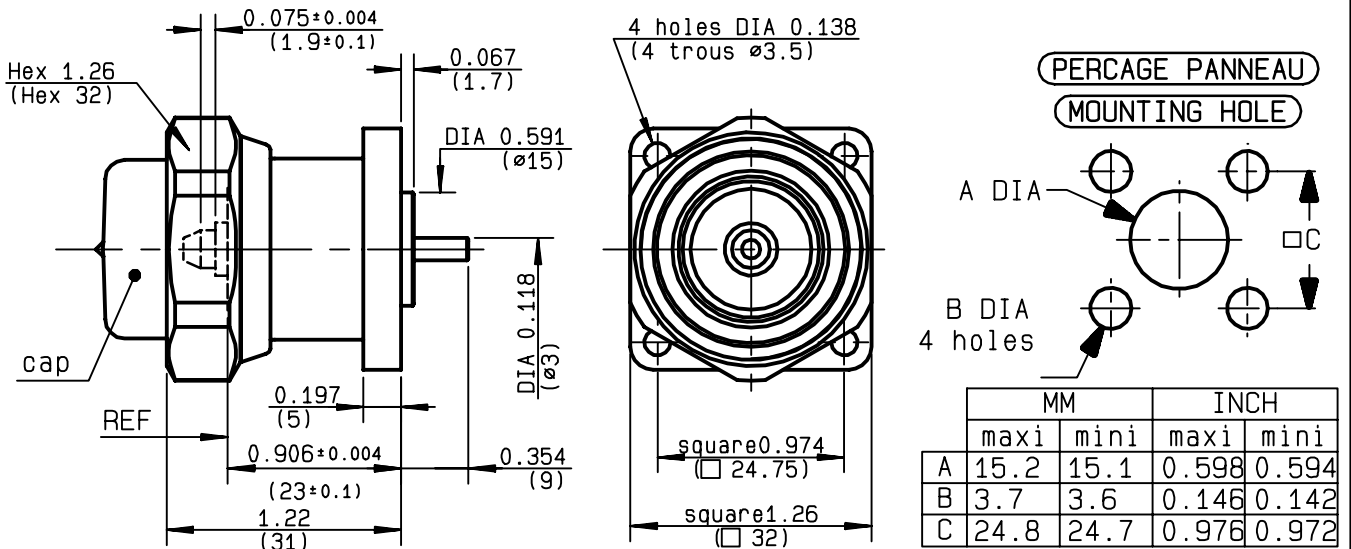


**SQUARE FLANGE PLUG RECEPTACLE  
WITH CYLINDRICAL CONTACT**

**R185.441.200**  
**SERIES 7-16**



NOMINAL IMPEDANCE	<b>50</b> Ω
FREQUENCY RANGE	<b>0-7.5</b> GHz
TEMPERATURE RATING	<b>-55/+155</b> °C
V.S.W.R	<b>1.15</b> + x F(GHz)Maxi
RF INSERTION LOSS	<b>0.03</b> √F(GHz) dB Maxi
VOLTAGE RATING	<b>1400</b> Veff Maxi
DIELECTRIC WITHSTANDING VOLTAGE	<b>4000</b> Veff Mini
INSULATION RESISTANCE	<b>10000</b> MΩMini
HERMETIC SEAL	<b>NA</b> Atm.cm <sup>3</sup> /s
LEAKAGE (pressurized only)	<b>NA</b>
MECHANICAL DURABILITY	<b>500</b> Cycles
WEIGHT	gr
SPECIFICATION	<b>C15 J61 P02</b>

CABLES :	
OTHERS CHARACTERISTICS	<b>ROS : 1.02 a 2 GHz</b>
CABLE RETENTION	<b>NA</b> N Mini
CENTER CONTACT RETENTION	
Axial force - mating end	<b>200</b> N Mini
Axial force - opposite end	<b>100</b> N Mini
Torque	<b>NA</b> cm.N Mini
RECOMMENDED TORQUES	
Mating	<b>3000</b> cm.N
Panel nut	<b>NA</b> cm.N
Clamp nut	<b>NA</b> cm.N

CONNECTOR PARTS	MATERIALS	FINISH
BODY	BRASS	SILVER 5 OVER COPPER 0.5
OUTER CONTACT	BRASS	SILVER 5 OVER COPPER 0.5
CENTER CONTACT	BRASS	SILVER 5 OVER COPPER 0.5
INSULATOR	PTFE	-
GASKET	SILICONE RUBBER	-
OTHERS PIECES	BRASS	NICKEL 3

(all values are given in micrometers)

BONOMINI

ISSUE	CREATION DATE	FILE PART-NUMBER
<b>9944D00</b>	<b>23/02/1996</b>	<b>96-0105-127</b>



The information given here is subject to change without notice.  
Design changes may be in order to improve the product.

Connect to the future