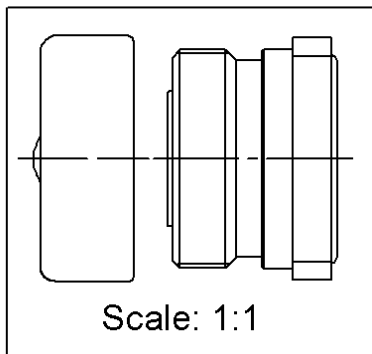
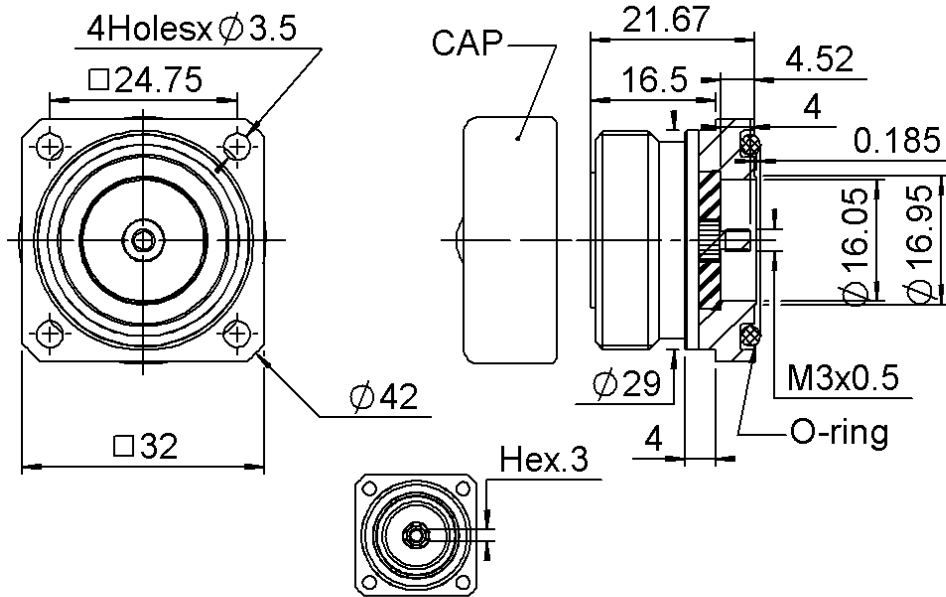


**STRAIGHT SQUARE FLANGE SEAL RECEPTACLE**

**R185.405.300**

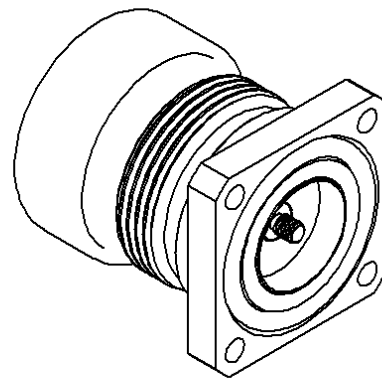
**M3 REAR MOUNTING**

Series : 7-16



**PANEL CUT OUT**

	mm	
	Maxi	mini
A	16.2	16
B	3.7	3.6
C	24.8	24.7



All dimensions are in mm.



COMPONENTS	MATERIALS	PLATING ( $\mu\text{m}$ )
BODY	BRASS	SILVER 5 OVER COPPER 0.5
CENTER CONTACT	BERYLLIUM COPPER	SILVER 5 OVER COPPER 0.5
OUTER CONTACT	BRASS	SILVER 5 OVER COPPER 0.5
INSULATOR	PTFE	
GASKET	SILICONE RUBBER	
OTHERS PARTS	-	
-	-	
-	-	

Issue : 0624 A

In the effort to improve our products, we reserve the right to make changes judged to be necessary.



**STRAIGHT SQUARE FLANGE SEAL RECEPTACLE**

**R185.405.300**

**M3 REAR MOUNTING**

Series : 7-16

**PACKAGING**

**SPECIFICATION**

Standard	Unit	Other
	<b>'W' option</b>	<b>Contact us</b>

**ELECTRICAL CHARACTERISTICS**

Impedance	<b>50</b>	$\Omega$
Frequency	<b>0-7.5</b>	GHz
VSWR	<b>1.08 + 0,0000</b>	x F(GHz) Maxi
Insertion loss	<b>.05</b>	$\sqrt{F}(\text{GHz})$ dB Maxi
RF leakage	- ( <b>TBD</b> )	- F(GHz)) dB Maxi
Voltage rating	<b>1400</b>	Veff Maxi
Dielectric withstanding voltage	<b>4000</b>	Veff mini
Insulation resistance	<b>10000</b>	M $\Omega$ mini

**ENVIRONMENTAL**

Operating temperature	<b>-55/+155</b>	$^{\circ}\text{C}$
Hermetic seal	<b>NA</b>	Atm.cm3/s
Panel leakage	<b>NA</b>	

**OTHER CHARACTERISTICS**

Assembly instruction

Others :  
PIM<-168dBc(-125dBm)2x20W

**MECHANICAL CHARACTERISTICS**

Center contact retention		
Axial force – Mating end	<b>200</b>	N mini
Axial force – Opposite end	<b>40</b>	N mini
Torque	<b>25</b>	N.cm mini
Recommended torque		
Mating	<b>NA</b>	N.cm
Panel nut	<b>NA</b>	N.cm
Mating life	<b>500</b>	Cycles mini
Weight	<b>83,4550</b>	g

Issue : 0624 A

In the effort to improve our products, we reserve the right to make changes judged to be necessary.



PRELIMINARY