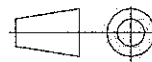
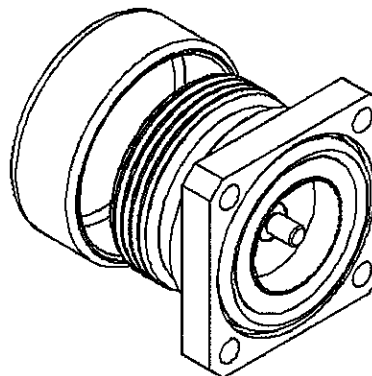
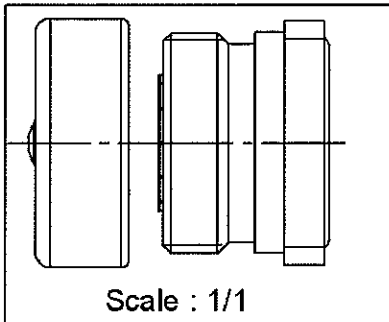
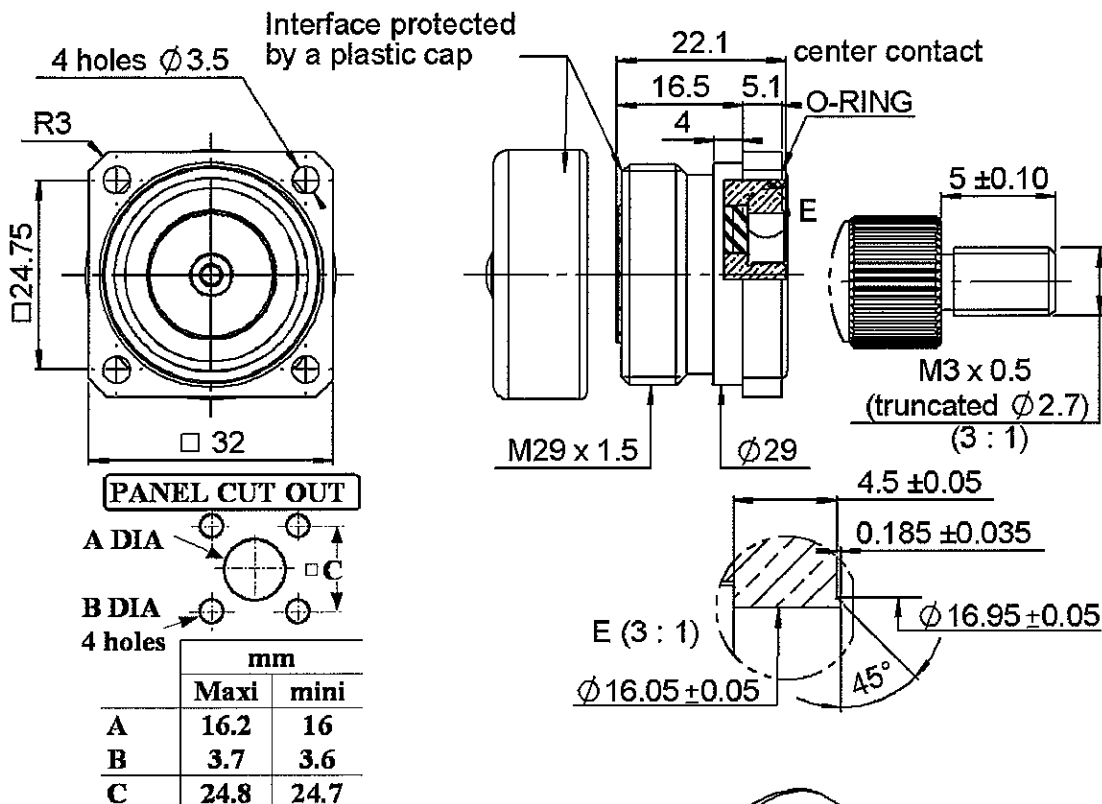


SQUARE FLANGE JACK RECEPTACLE

R185.405.248

PANEL SEAL-WITH THREAD CONTACT M3

Series : 7-16



All dimensions are in mm.

COMPONENTS	MATERIALS	PLATINGS (μm)
BODY	BRASS	TIN 8 OVER NICKEL 2
CENTER CONTACT	BERYLLIUM COPPER	SILVER 5 OVER COPPER 0.5
OUTER CONTACT	BRASS	BBR 0.5 OVER SILVER 5
INSULATOR	PTFE	-
GASKET	SILICONE RUBBER	-
OTHERS PARTS	-	-
-	-	-
-	-	-

Issue : 0440 C

In the effort to improve our products, we reserve the right to make changes judged to be necessary.



SQUARE FLANGE JACK RECEPTACLE

R185.405.248

PANEL SEAL-WITH THREAD CONTACT M3

Series : 7-16

PACKAGING

Standard	Unit	Other
20	'W' option	Contact us

SPECIFICATION

DAN 66283 EDIT 2

ELECTRICAL CHARACTERISTICS

Impedance		50 Ω
Frequency		0-7.5 GHz
VSWR	1.15 +	0.000 x F(GHz) Maxi
Insertion loss		*0.05 √F(GHz) dB Maxi
RF leakage	- (NA - F(GHz)) dB Maxi
Voltage rating		1400 Veff Maxi
Dielectric withstanding voltage		4000 Veff mini
Insulation resistance		10000 MΩ mini

ENVIRONMENTAL

Operating temperature	-55/+155 °C
Hermetic seal	NA Atm.cm3/s
Panel leakage	NA

OTHERS CHARACTERISTICS

Assembly instruction **NA**

Others :

-
*Coaxial Transmission Line Only

MECHANICAL CHARACTERISTICS

Center contact retention		
Axial force – Mating end	200	N mini
Axial force – Opposite end	40	N mini
Torque	25	N.cm mini
Recommended torque		
Mating	NA	N.cm
Panel nut	NA	N.cm
Mating life	500	Cycles mini
Weight	78.740	g

Issue : 0440 C

In the effort to improve our products, we reserve the right to make changes judged to be necessary.



RADIALL®