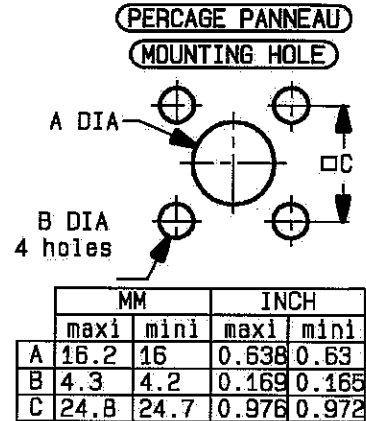
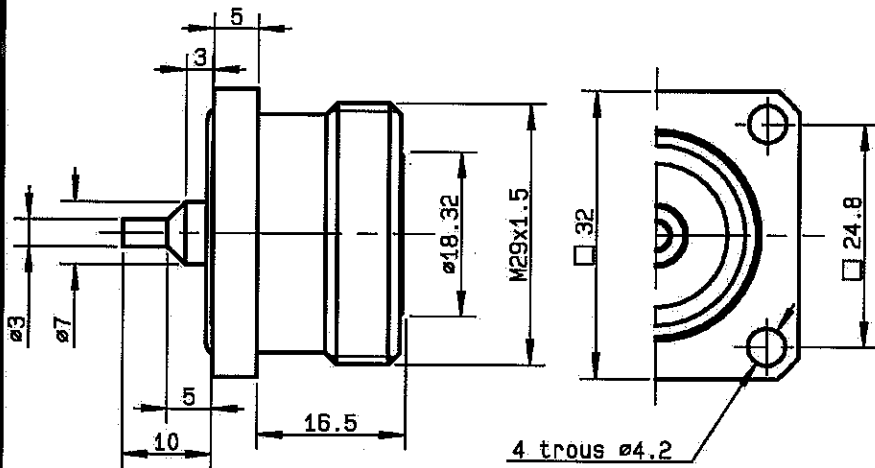


**SQUARE FLANGE JACK RECEPTACLE
PANEL SEAL - SPECIAL CONTACT**

R185.404.300
SERIES 7-16



NOMINAL IMPEDANCE	50	Ω
FREQUENCY RANGE	0-7.5	GHz
TEMPERATURE RATING	-55/+155	$^{\circ}\text{C}$
V.S.W.R	1.15 +	x F(GHz)Maxi
RF INSERTION LOSS	0.03	$\sqrt{F}(\text{GHz})$ dB Maxi
VOLTAGE RATING	1400	Veff Maxi
DIELECTRIC WITHSTANDING VOLTAGE	4000	Veff Mini
INSULATION RESISTANCE	10000	M Ω Mini
HERMETIC SEAL	NA	Atm.cm ³ /s
LEAKAGE (pressurized only)	NA	
MECHANICAL DURABILITY	500	Cycles
WEIGHT	72.8	gr
SPECIFICATION		

CABLES :

OTHERS CHARACTERISTICS : PAKAGING 20 + OPTION W

CABLE RETENTION	NA	N Mini
CENTER CONTACT RETENTION		
Axial force - mating end	200	N Mini
Axial force - opposite end	200	N Mini
Torque	2	cm.N Mini
RECOMMENDED TORQUES		
Mating	NA	cm.N
Panel nut	NA	cm.N
Clamp nut	NA	cm.N

CONNECTOR PARTS	MATERIALS	FINISH	(all values are given in micrometers)
BODY	BRASS	SILVER 5 PASSIVATED OVER COPPER	0.5
OUTER CONTACT	BRASS	SILVER 5 PASSIVATED OVER COPPER	0.5
CENTER CONTACT	BERYLLIUM COPPER	SILVER 5 OVER COPPER	0.5
INSULATOR	PTFE	-	
GASKET	SILICONE RUBBER	-	
OTHERS PIECES			

ISSUE 0812 C01	CREATION DATE 15/04/1996	FILE PART-NUMBER 96-0132-041
--------------------------	------------------------------------	--



FANJAT

The information given here is subject to change without notice.
Design changes may be in order to improve the product.

Connect to the future