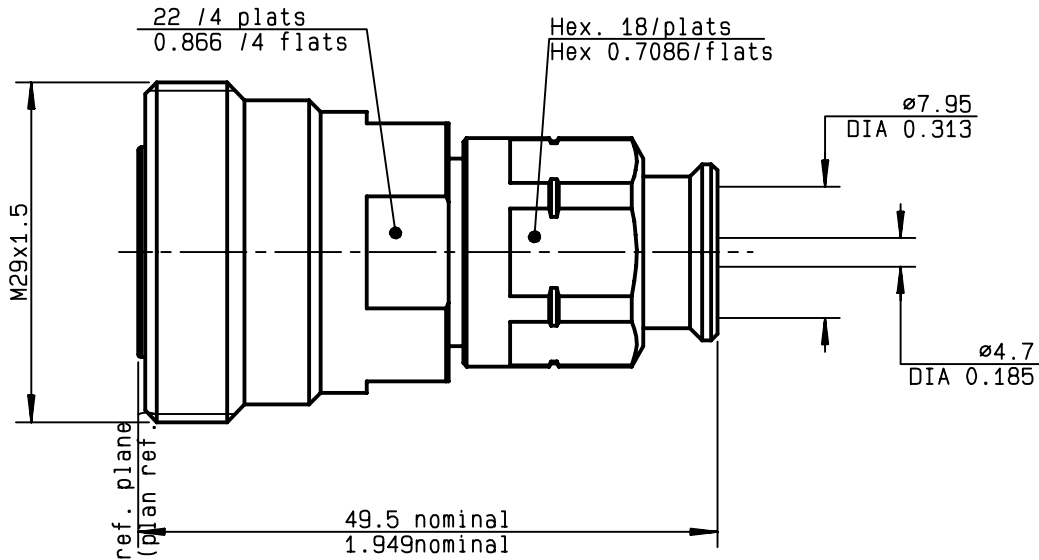


**STRAIGHT CABLE JACK CLAMP TYPE
CABLE 1/4" SUPERFLEXIBLE CORRUGATED**

R185.215.200
SERIES 7-16



NOMINAL IMPEDANCE	50 Ω
FREQUENCY RANGE	0-7.5 GHz
TEMPERATURE RATING	-55/+155 °C
V.S.W.R	1.20 + x F(GHz)Maxi
RF INSERTION LOSS	0.05 √F(GHz) dB Maxi
VOLTAGE RATING	1400 Veff Maxi
DIELECTRIC WITHSTANDING VOLTAGE	2700 Veff Mini
INSULATION RESISTANCE	10000 MΩMini
HERMETIC SEAL	NA Atm.cm ³ /s
LEAKAGE (pressurized only)	IP 67
MECHANICAL DURABILITY	500 Cycles
WEIGHT	101 gr
SPECIFICATION	

CABLES : **FSJ1RN-50A - 1/4"**
HCF 1/4" Cu2Y AlCu

OTHERS CHARACTERISTICS

ROS	1.10	a 3 GHz
CABLE RETENTION	200	N Mini
CENTER CONTACT RETENTION		
Axial force - mating end	200	N Mini
Axial force - opposite end	100	N Mini
Torque	2	cm.N Mini
RECOMMENDED TORQUES		
Mating	NA	cm.N
Panel nut	NA	cm.N
Clamp nut	950	cm.N

CONNECTOR PARTS	MATERIALS	FINISH	(all values are given) in micrometers
BODY	BRASS	BBR 0.5 OVER SILVER 3	
OUTER CONTACT	BRASS	SILVER 5 OVER COPPER 0.5	
CENTER CONTACT	BERYLLIUM COPPER	SILVER 5 OVER COPPER 0.5	
INSULATOR	PTFE	-	
GASKET	SILICONE RUBBER	-	
OTHERS PIECES	BRASS	BBR 2	

ISSUE	CREATION DATE	FILE PART-NUMBER
0220C00	02/06/1999	EPC94-10



RADIALL®

GAUTIER

The information given here is subject to change without notice.
Design changes may be in order to improve the product .

Connect to the future



R185.215.200

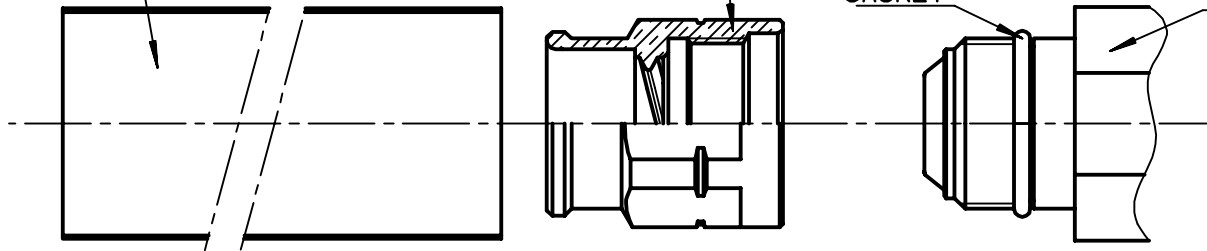
ISSUE **0220C00** SERIES **7-16**

HEATSHRINK SLEEVE

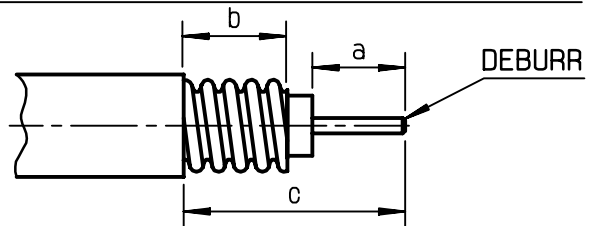
BRAID CLAMP NUT

GASKET

BODY

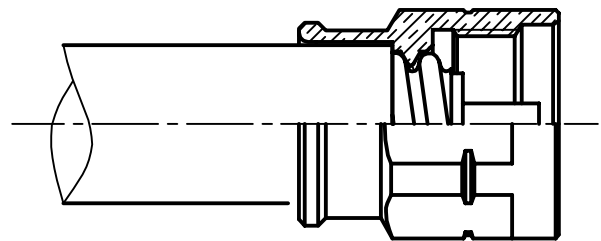


- ① - Strip the cable.
 Stripping tool R282.010.030
 - Do not damage the outer conductor.
 - Deburr cable inner conductor.

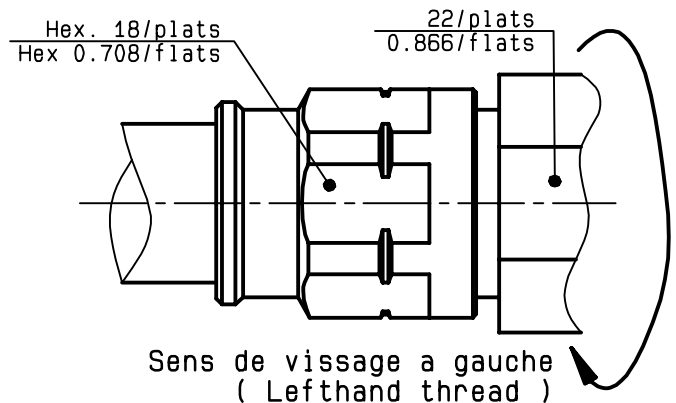


Stripping	a	b	c	d	e
inch	0.217	0.197	0.453	0	0
mm	5.5	5	11.5		

- ② - Slide the heatshrink sleeve onto the cable.
 - Screw manually the braid clamp nut onto cable outer conductor until stop.



- ③ - Screw the connector onto the assembly.
WARNING : Screw the connector on the braid clamp nut turning left (lefthand thread) so that the copper outer conductor is being squeezed.
 Torque wrench R282.303.220
 Recommended coupling torque: 84.07 in.lb
 950 Ncm



- ④ - Shrink the heatshrink sleeve.

Shrink the heatshrink sleeve

