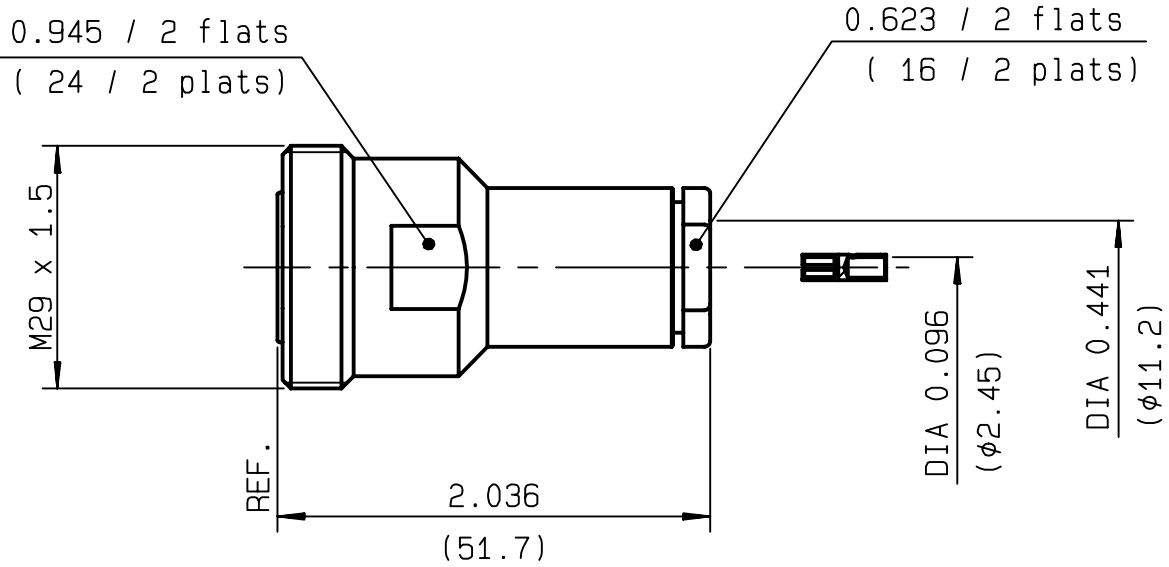


**STRAIGHT CABLE JACK CLAMP TYPE
CABLE 10+11/50**

R185.210.000
SERIES 7-16



NOMINAL IMPEDANCE	50 Ω	CABLES : KX 13 KX 4 RG 213 RG 214 RG 225 RG 393
FREQUENCY RANGE	0-7.5 GHz	
TEMPERATURE RATING	-55/+155 °C	
V.S.W.R	1.20 + x F(GHz)Maxi	
RF INSERTION LOSS	0.05 √F(GHz) dB Maxi	
VOLTAGE RATING	1400 Veff Maxi	
DIELECTRIC WITHSTANDING VOLTAGE	2700 Veff Mini	
INSULATION RESISTANCE	10000 MΩMini	
HERMETIC SEAL	NA Atm.cm ³ /s	
LEAKAGE (pressurized only)	NA	
MECHANICAL DURABILITY	500 Cycles	OTHERS CHARACTERISTICS ROS : 1.10 a 3 GHz CABLE RETENTION 250 N Mini CENTER CONTACT RETENTION Axial force - mating end 200 N Mini Axial force - opposite end 100 N Mini Torque NA cm.N Mini RECOMMENDED TORQUES Mating NA cm.N Panel nut NA cm.N Clamp nut 800 cm.N
WEIGHT	103 gr	
SPECIFICATION		

CONNECTOR PARTS	MATERIALS	FINISH
BODY	BRASS	BBR 0.5 OVER SILVER 3
OUTER CONTACT	BRASS	SILVER 5 OVER COPPER 0.5
CENTER CONTACT	BERYLLIUM COPPER	SILVER 5 OVER COPPER 0.5
INSULATOR	PTFE	-
GASKET	SILICONE RUBBER	-
OTHERS PIECES	BRASS	BBR 2

(all values are given in micrometers)

ISSUE 9944E00	CREATION DATE 18/05/1994	FILE PART-NUMBER EPC96-02
-------------------------	------------------------------------	-------------------------------------



GAUTIER

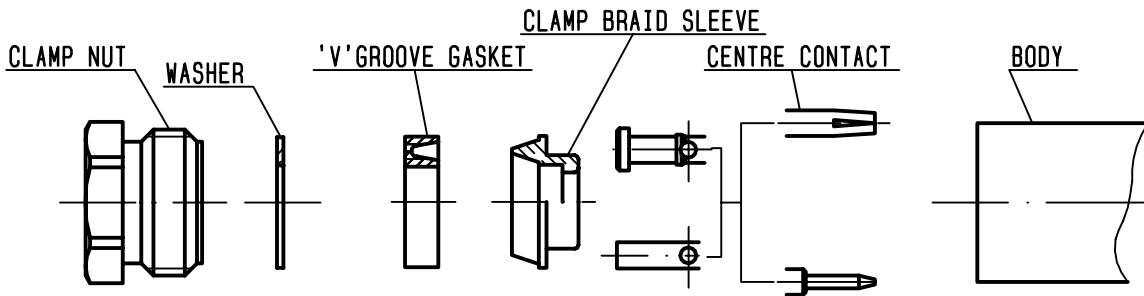
The information given here is subject to change without notice.
Design changes may be in order to improve the product .

Connect to the future



R185.210.000

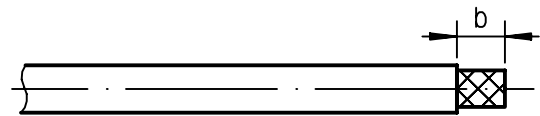
ISSUE **9944E00** SERIES **7-16**



①

Strip the cable .

-
-
-
-

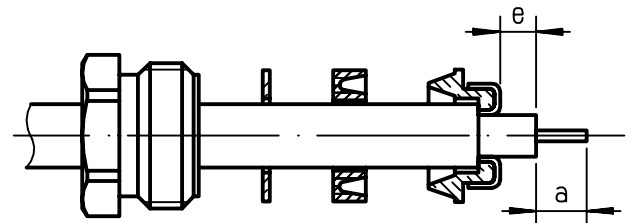


Stripping	a	b	c	d	e
inch	0.197	0.335	0	0	0.059
mm	5	8.5			1.5

②

Slide the clamp nut and the 'V' groove gasket onto the cable .
Slide clamp braid sleeve over braid .
Fold back braid and trim off surplus braid .
Trim back dielectric as shown .

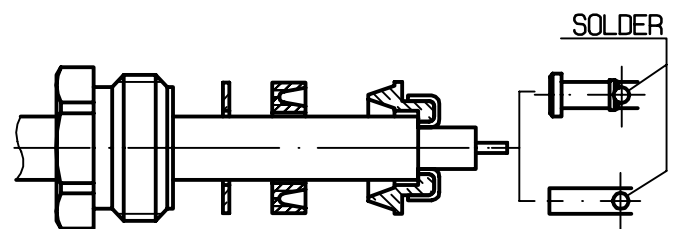
-



③

Solder the cable inner conductor into centre contact .

-
-
-
-
-
-



④

Screw sub-assembly into the connector body .
(recommended coupling torque 70.87 in.lb)

-
-

