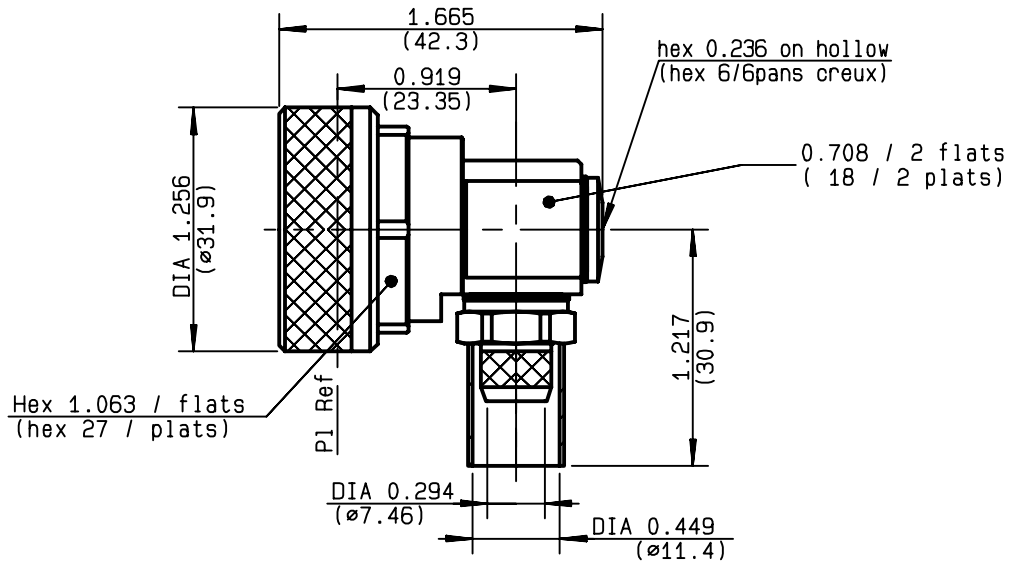


**RIGHT ANGLE PLUG CRIMP TYPE
CABLE 11/50 D**

R185.177.000
SERIES 7-16



NOMINAL IMPEDANCE	50 Ω	CABLES : KX 13
FREQUENCY RANGE	0-7.5 GHz	RG 214
TEMPERATURE RATING	-55/+155 °C	RG 225
V.S.W.R	* + x F(GHz)Maxi	RG 393
RF INSERTION LOSS	0.05 √F (GHz) dB Maxi	
VOLTAGE RATING	1400 Veff Maxi	
DIELECTRIC WITHSTANDING VOLTAGE	2700 Veff Mini	
INSULATION RESISTANCE	10000 MΩMini	OTHERS CHARACTERISTICS
HERMETIC SEAL	NA Atm.cm ³ /s	* ROS : 1.15 a 3 GHz
LEAKAGE (pressurized only)	NA	CABLE RETENTION 250 N Mini
MECHANICAL DURABILITY	500 Cycles	CENTER CONTACT RETENTION
WEIGHT	gr	Axial force - mating end 200 N Mini
SPECIFICATION		Axial force - opposite end 100 N Mini
		Torque 2 cm.N Mini
		RECOMMENDED TORQUES
		Mating 3000 cm.N
		Panel nut NA cm.N
		Clamp nut NA cm.N

CONNECTOR PARTS	MATERIALS	FINISH	(all values are given) in micrometers
BODY	BRASS	BBR 0.5 OVER SILVER 3	
OUTER CONTACT	BRASS	SILVER 5 OVER COPPER 0.5	
CENTER CONTACT	BRASS	SILVER 5 OVER COPPER 0.5	
INSULATOR	PTFE	-	
GASKET	SILICONE RUBBER	-	
OTHERS PIECES	BRASS	BBR 2	

ISSUE	CREATION DATE	FILE PART-NUMBER
9944C00	11/05/1994	EPC96-02



RADIALL®

GAUTIER

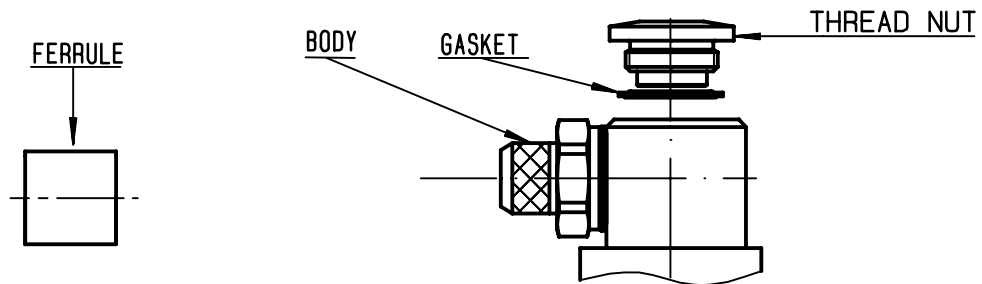
The information given here is subject to change without notice.
Design changes may be in order to improve the product .

Connect to the future



R185.177.000

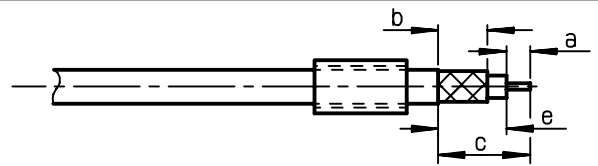
ISSUE **9944C00** SERIES **7-16**



①

Slide ferrule onto cable.
Strip the cable .

-
-

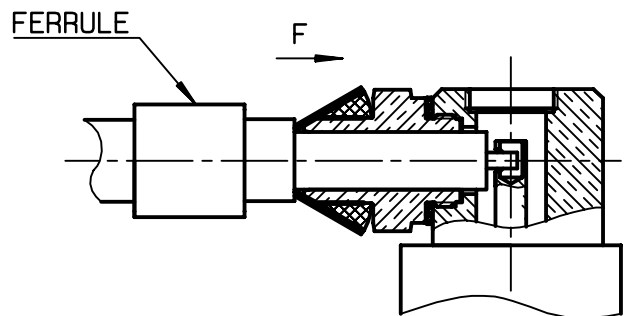


Stripping	a	b	c	d	e
inch	0.118	0.315	0.925	0	0.807
mm	3	8	23.5		20.5

②

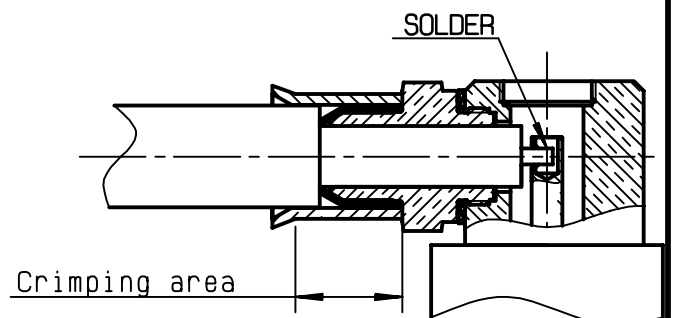
Fan the braid .
Push connector body under braid .
Slide ferrule over the braid
(in direction F)

-
-



③

Crimp the ferrule with crimping tool
R282 231 000 (Hex. : 0.415) or
crimping tool R 282 293 000 (M22520/5-01)
+ dies R 282 235 116 (Y116 DANIELS)
Solder inner conductor .



④

Tightly screw the cap with gasket
onto connector body.

-
-
-
-

