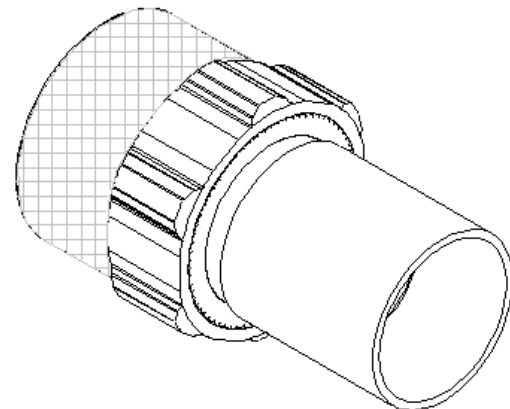
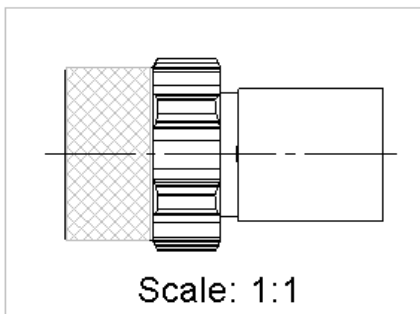
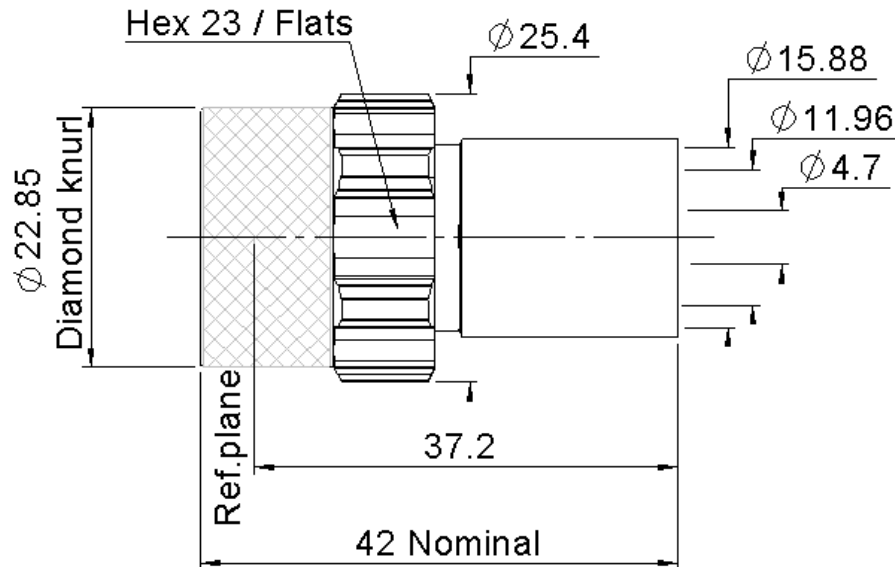
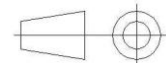


PAGE 1/2	ISSUE 1416C	SERIES QLI	PART NUMBER R184087007
----------	-------------	------------	-------------------------------



All dimensions are in mm.



COMPONENTS	MATERIALS	PLATING (μm)
Body	BRASS	BBR
Center contact	BRONZE	SILVER
Outer contact		
Insulator	PTFE	
Gasket	SILICONE RUBBER	
Others parts	BRASS	BBR
-	-	-
-	-	-

PAGE 2/2	ISSUE 1416C	SERIES QLI	PART NUMBER R184087007
-----------------	--------------------	-------------------	-------------------------------

PACKAGING

Standard	Unit	Other
50	Contact us	Contact us

ELECTRICAL CHARACTERISTICS

Impedance	50	Ω
Frequency	0-6	GHz
VSWR	1.15* + 0.0000	x F(GHz) Maxi
Insertion loss	0.05	√F(GHz) dB Maxi
RF leakage	NA	- F(GHz)) dB Maxi
Voltage rating	1400	Veff Maxi
Dielectric withstanding voltage	2500	Veff mini
Insulation resistance	5000	MΩ mini

MECHANICAL CHARACTERISTICS

Center contact retention			
Axial force – Mating End	50	N mini	
Axial force – Opposite end	30	N mini	
Torque	NA	N.cm mini	
Recommended torque			
Mating	NA	N.cm	
Panel nut	NA	N.cm	
Clamp nut	NA	N.cm	
A/F clamp nut	0.0000	mm	
Mating life	100	Cycles mini	
Weight	42.7240	g	

ENVIRONMENTAL

Operating temperature	-55~+120	°C
Hermetic seal	NA	Atm.cm3/s
Panel leakage	NA	

SPECIFICATION

CABLE ASSEMBLY

Stripping	a	b	c	d	e	f
mm	4.5	11	16.5	0	12	0

Assembly instruction: **Crimp 01**

Recommended cable(s)

AEP-600FR
LMR 600

Characteristics indicated on this data sheet are those that can be achieved with the highest performance cable. Intrinsic limitations of the cable may diminish the performance of the assembly

Cable retention

- pull off	350	N mini
- torque	NA	N.cm

TOOLING

Part Number	Description	Hexagon
R282235166		15.49
R282293000	CRIMPING TOOL M22520/5-01	

OTHER CHARACTERISTICS

IP67 for interface
***VSWR: up to 3GHz; 3-6 GHz, 1.2maxi**