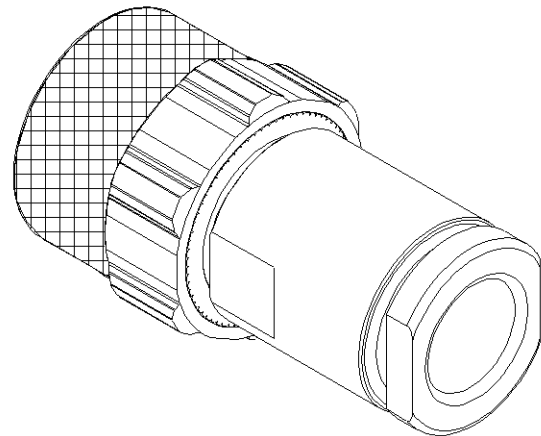
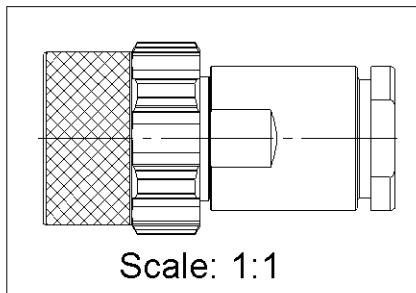
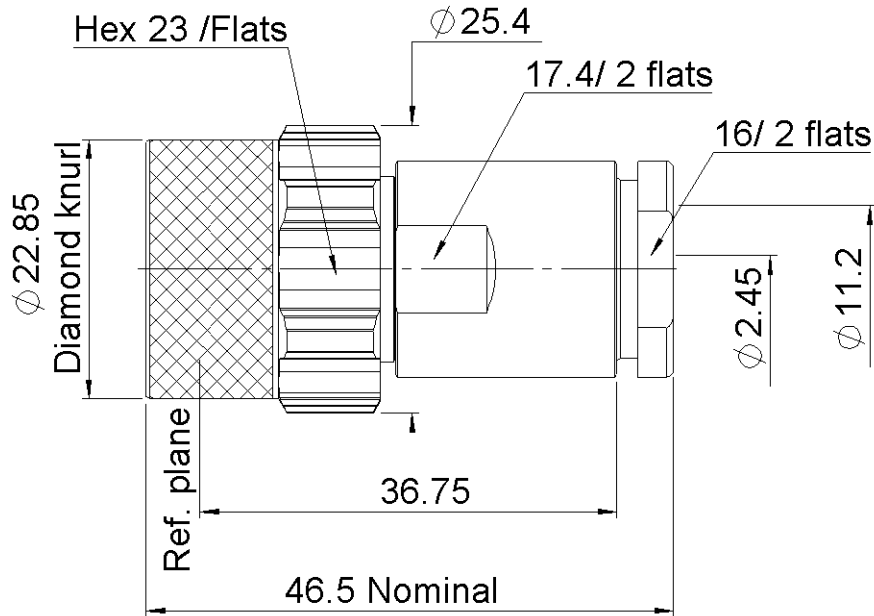
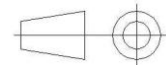


| | | | |
|----------|-------------|------------|------------------------|
| PAGE 1/2 | ISSUE 1416C | SERIES QLI | PART NUMBER R184018007 |
|----------|-------------|------------|------------------------|



All dimensions are in mm.



| COMPONENTS | MATERIALS | PLATING (µm) |
|----------------|------------------------|---------------|
| Body | BRASS | BBR |
| Center contact | BRONZE | SILVER |
| Outer contact | BRASS | BBR |
| Insulator | PTFE | |
| Gasket | SILICONE RUBBER | |
| Others parts | BRASS | BBR |
| - | - | - |
| - | - | - |

| | | | |
|-----------------|--------------------|-------------------|-------------------------------|
| PAGE 2/2 | ISSUE 1416C | SERIES QLI | PART NUMBER R184018007 |
|-----------------|--------------------|-------------------|-------------------------------|

PACKAGING

| Standard | Unit | Other |
|-----------|-------------------|-------------------|
| 50 | Contact us | Contact us |

ELECTRICAL CHARACTERISTICS

| | | |
|---------------------------------|----------------------|--------------------------|
| Impedance | 50 | Ω |
| Frequency | 0-6 | GHz |
| VSWR | 1.04 + 0.0200 | x F(GHz) Maxi |
| Insertion loss | 0.05 | \sqrt{F} (GHz) dB Maxi |
| RF leakage | - (NA) | - F(GHz)) dB Maxi |
| Voltage rating | 1400 | Veff Maxi |
| Dielectric withstanding voltage | 2500 | Veff mini |
| Insulation resistance | 5000 | M Ω mini |

MECHANICAL CHARACTERISTICS

| | | |
|----------------------------|----------------|-------------|
| Center contact retention | | |
| Axial force – Mating End | 50 | N mini |
| Axial force – Opposite end | 30 | N mini |
| Torque | NA | N.cm mini |
| Recommended torque | | |
| Mating | NA | N.cm |
| Panel nut | NA | N.cm |
| Clamp nut | 800 | N.cm |
| A/F clamp nut | 16.0000 | mm |
| Mating life | 100 | Cycles mini |
| Weight | 72.3200 | g |

ENVIRONMENTAL

| | | |
|-----------------------|-----------------|--------------------|
| Operating temperature | -55~+120 | $^{\circ}\text{C}$ |
| Hermetic seal | NA | Atm.cm3/s |
| Panel leakage | NA | |

SPECIFICATION

CABLE ASSEMBLY

| Stripping | a | b | c | d | e | f |
|-----------|----------|------------|----------|----------|------------|----------|
| mm | 5 | 8.5 | 0 | 0 | 1.6 | 0 |

Assembly instruction: **Clamp 02**

Recommended cable(s)

- KX 4**
- KX 13**
- RG 165**
- RG 213**
- RG 214**
- RG 216**
- RG 225**
- RG 393**

Characteristics indicated on this data sheet are those that can be achieved with the highest performance cable. Intrinsic limitations of the cable may diminish the performance of the assembly

Cable retention

| | | |
|------------|------------|--------|
| - pull off | 300 | N mini |
| - torque | NA | N.cm |

TOOLING

| Part Number | Description | Hexagon |
|-------------|-------------|---------|
| . | . | . |

OTHER CHARACTERISTICS

IP67 mated condition