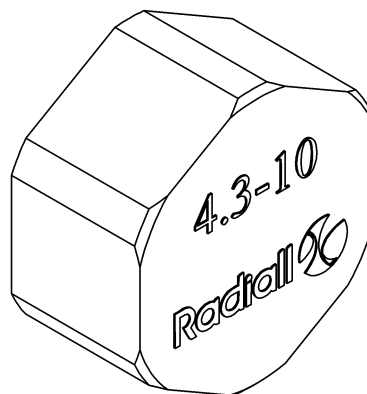
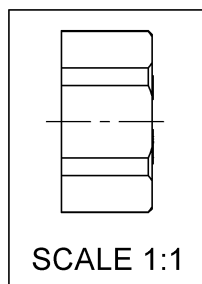
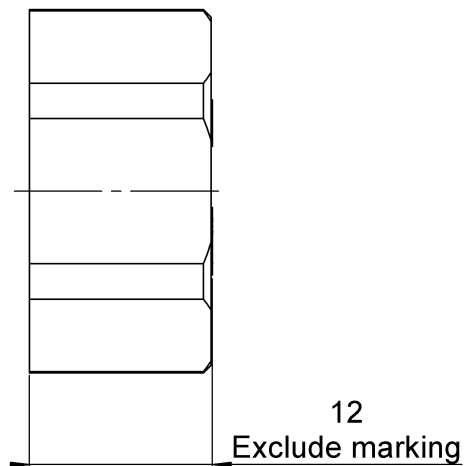
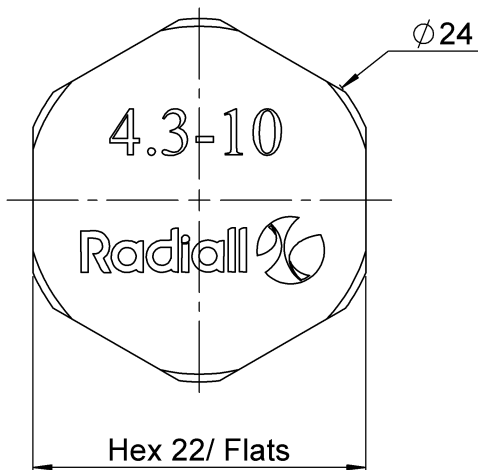
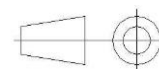


PAGE 1/2	ISSUE 31-10-17A	SERIES 4.3-10	PART NUMBER R183804020
----------	-----------------	---------------	------------------------



All dimensions are in mm. Tolerances according ISO 2768 m-H



COMPONENTS	MATERIALS	PLATING (µm)
Body	PC BLACK	
Center contact		
Outer contact		
Insulator		
Gasket	TPV GRAY	
Others parts		
-	-	-
-	-	-

PAGE 2/2	ISSUE 31-10-17A	SERIES 4.3-10	PART NUMBER R183804020
----------	-----------------	---------------	------------------------

PACKAGING

Standard	Unit	Other
100	Contact us	Contact us

ELECTRICAL CHARACTERISTICS

Impedance		NA	Ω
Frequency		NA	GHz
VSWR	NA	+	0.0000 x F(GHz) Maxi
Insertion loss		NA	√F(GHz) dB Maxi
RF leakage	- (NA	- F(GHz) dB Maxi
Voltage rating		NA	Veff Maxi
Dielectric withstanding voltage		NA	Veff mini
Insulation resistance		NA	MΩ mini

MECHANICAL CHARACTERISTICS

Center contact retention			
Axial force – Mating End		NA	N mini
Axial force – Opposite end		NA	N mini
Torque		NA	N.cm mini
Recommended torque			
Mating		100	N.cm
Panel nut		NA	N.cm
Mating life		100	Cycles mini
Weight		3.0570	g

ENVIRONMENTAL

Operating temperature	-50~+100	°C
Hermetic seal	NA	Atm.cm3/s
Panel leakage	NA	

SPECIFICATION

OTHER CHARACTERISTICS

Assembly instruction:**NA**

Others:
IP68(1m,1h) for mated condition
UL 94 V-0
UV Resistance