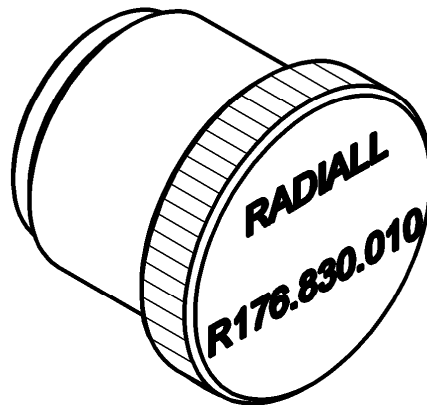
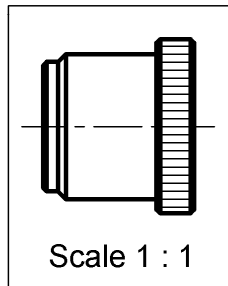
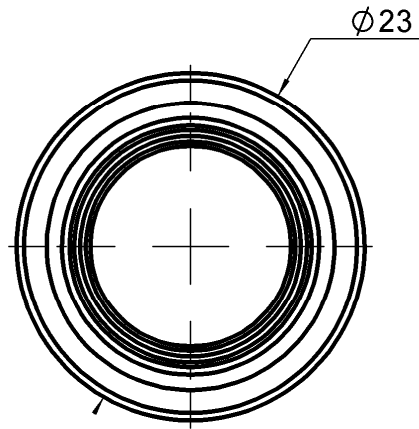
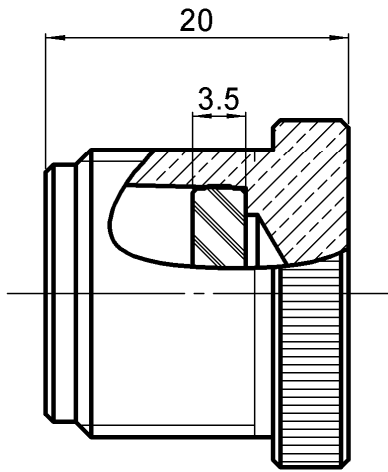


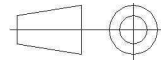
**PROTECTION PLUG**

**R176.830.010**

Series : HN



All dimensions are in mm.



COMPONENTS	MATERIALS	PLATING ( $\mu\text{m}$ )
BODY	BRASS	NICKEL 2
CENTER CONTACT	-	-
OUTER CONTACT	-	-
INSULATOR	PTFE	-
GASKET	-	-
OTHERS PARTS	-	-
-	-	-
-	-	-

Issue : 0843 A

In the effort to improve our products, we reserve the right to make changes judged to be necessary.



**PROTECTION PLUG**

**R176.830.010**

Series : **HN**

**PACKAGING**

**SPECIFICATION**

Standard	Unit	Other
<b>1</b>		<b>Contact us</b>

**ELECTRICAL CHARACTERISTICS**

**ENVIRONMENTAL**

Impedance **50** Ω  
 Frequency **DC-3** GHz  
 VSWR **NA + 0,0000** x F(GHz) Maxi  
 Insertion loss **NA** √F(GHz) dB Maxi  
 RF leakage - (**NA** - F(GHz)) dB Maxi  
 Voltage rating **NA** Veff Maxi  
 Dielectric withstanding voltage **NA** Veff mini  
 Insulation resistance **NA** MΩ mini

Operating temperature **NA** °C  
 Hermetic seal **NA** Atm.cm3/s  
 Panel leakage **NA**

**OTHER CHARACTERISTICS**

Assembly instruction

Others :

**MECHANICAL CHARACTERISTICS**

Center contact retention  
 Axial force – Mating end **NA** N mini  
 Axial force – Opposite end **NA** N mini  
 Torque **NA** N.cm mini

Recommended torque  
 Mating **NA** N.cm  
 Panel nut **NA** N.cm

Mating life **0** Cycles mini  
 Weight **34,4500** g

Issue : 0843 A

In the effort to improve our products, we reserve the right to make changes judged to be necessary.

