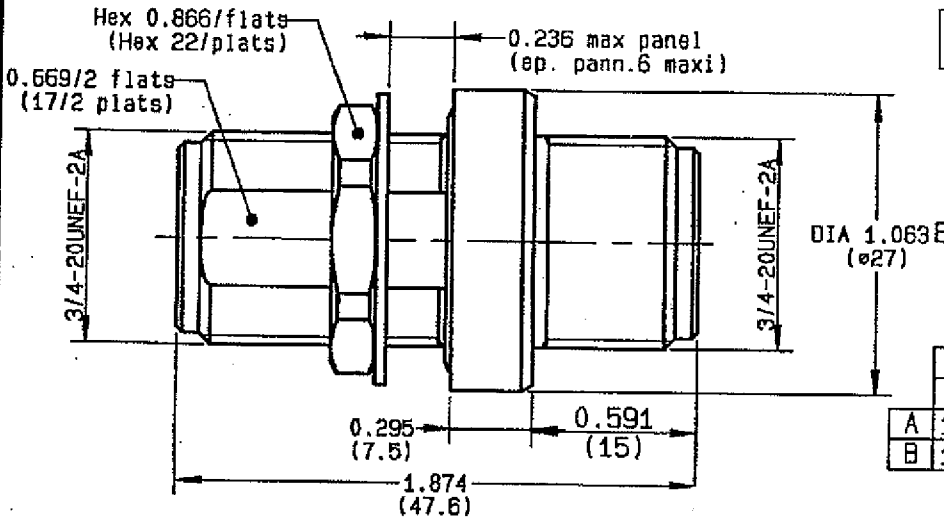


**BULKEAD WATER PROOF F-F BETWEEN SERIES  
ADAPTOR CERAMIC INSULATOR**

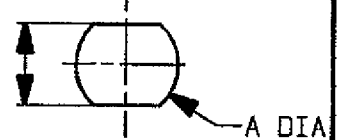
**R176.754.150**  
SERIES HN



SPECIF ROLLS ROYCE

PERCAGE PANNEAU

MOUNTING HOLE



	MM		INCH	
	maxi	mini	maxi	mini
A	19.3	19.2	0.76	0.76
B	17.3	17.2	0.681	0.677

NOMINAL IMPEDANCE	25	Ω
FREQUENCY RANGE	0-3	GHz
TEMPERATURE RATING	-55/+155	°C
V.S.W.R	NA +	x F (GHz) Maxi
RF INSERTION LOSS	NA	√F (GHz) dB Maxi
VOLTAGE RATING	900	Vdc Maxi
DIELECTRIC WITHSTANDING VOLTAGE	NOTA	Veff Mini
INSULATION RESISTANCE	*	M Ω Mini
HERMETIC SEAL	NA	Atm.cm <sup>3</sup> /s
LEAKAGE (pressurized only)	NA	MPa
MECHANICAL DURABILITY		Cycles
WEIGHT		gr
SPECIFICATION	1 410 015 H	

CABLES :

OTHERS CHARACTERISTICS

\*10 exp 12 Ohms under 500 Vdc  
Nota : 3500 Veff mini during 1 mn  
with leakage current <1mA

CABLE RETENTION	NA	N Mini
CENTER CONTACT RETENTION		
Axial force - mating end	NA	N Mini
Axial force - opposite end	NA	N Mini
Torque	NA	cm.N Mini
RECOMMENDED TORQUES		
Mating	NA	cm.N
Panel nut	NA	cm.N
Clamp nut	NA	cm.N

CONNECTOR PARTS	MATERIALS	FINISH	(all values are given in micrometers)
BODY	BRASS	NICKEL .	
OUTER CONTACT	BRASS	NICKEL .	
CENTER CONTACT	BERYLLIUM COPPER	GOLD .	
INSULATOR	CERAMIC	-	
GASKET	SILICONE RUBBER	-	
OTHERS PIECES			

ISSUE  
1042 F00

CREATION DATE  
14-DEC-77

FILE PART-NUMBER



**RADIALL**®

The information given here is subject to change without notice.  
Design changes may be in order to improve the product .

Connect to the future