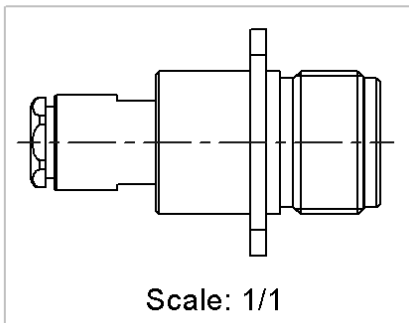
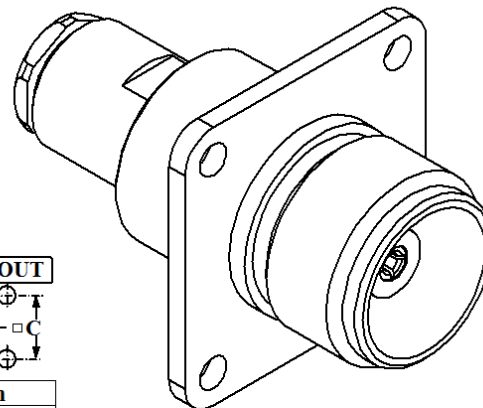
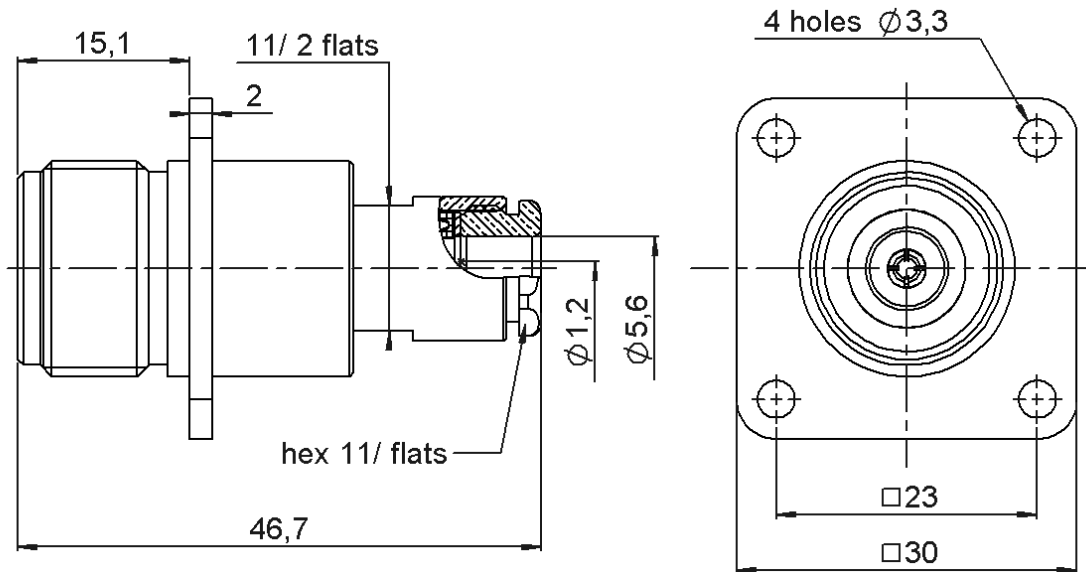


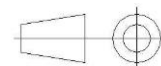
PAGE 1/4	ISSUE 05-01-16G	SERIES HN	PART NUMBER R176256000
----------	-----------------	-----------	------------------------



PANEL CUT OUT

	mm	
	Maxi	mini
A	19.6	19.5
B	3.3	3.2
C	23.05	22.95

All dimensions are in mm.



COMPONENTS	MATERIALS	PLATING (µm)
Body	BRASS	NICKEL 2
Center contact	BERYLLIUM COPPER	Silver
Outer contact	-	-
Insulator	PTFE	
Gasket	SILICONE RUBBER	
Others parts	BRASS	NICKEL 2
-	-	-
-	-	-

PAGE 2/4	ISSUE 05-01-16G	SERIES HN	PART NUMBER R176256000
-----------------	------------------------	------------------	-------------------------------

PACKAGING

Standard	Unit	Other
1	Contact us	Contact us

ELECTRICAL CHARACTERISTICS

Impedance	50	Ω
Frequency	0-3	GHz
VSWR	NA + 0,0000	x F(GHz) Maxi
Insertion loss	NA	\sqrt{F} (GHz) dB Maxi
RF leakage	- (NA)	- F(GHz)) dB Maxi
Voltage rating	1500	Veff Maxi
Dielectric withstanding voltage	5000	Veff mini
Insulation resistance	5000	M Ω mini

MECHANICAL CHARACTERISTICS

Center contact retention		
Axial force – Mating End	NA	N mini
Axial force – Opposite end	NA	N mini
Torque	NA	N.cm mini
Recommended torque		
Mating	NA	N.cm
Panel nut	NA	N.cm
Clamp nut	450	N.cm
A/F clamp nut	11,0000	mm
Mating life	500	Cycles mini
Weight	62,4600	g

ENVIRONMENTAL

Operating temperature	-55/+155	$^{\circ}\text{C}$
Hermetic seal	NA	Atm.cm3/s
Panel leakage	NA	

SPECIFICATION

QAE 06-02 . .

CABLE ASSEMBLY

Stripping	a	b	c	d	e	f
mm	4,5	15	0	0	9	0

Assembly instruction:

Recommended cable(s)

KX 15
RG 58

Characteristics indicated on this data sheet are those that can be achieved with the highest performance cable. Intrinsic limitations of the cable may diminish the performance of the assembly

Cable retention

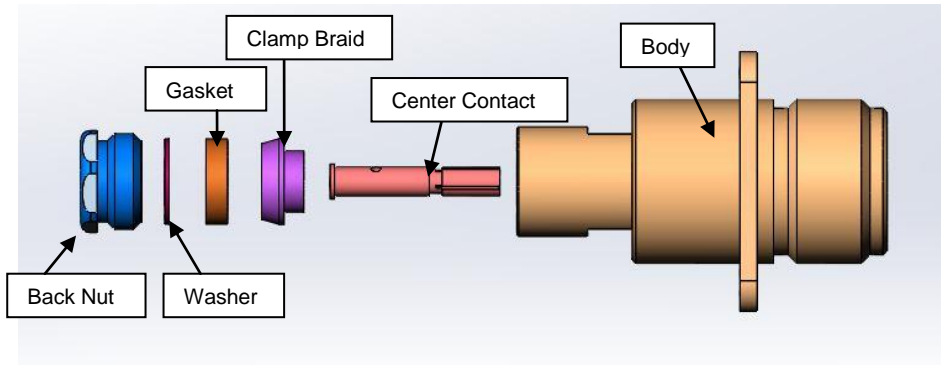
- pull off	180	N mini
- torque	NA	N.cm

TOOLING

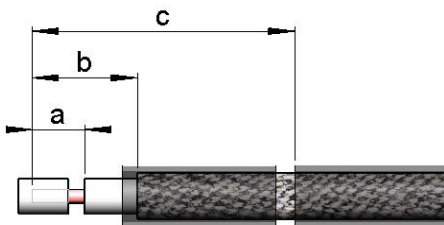
Part Number	Description	Hexagon
.	.	.

OTHER CHARACTERISTICS

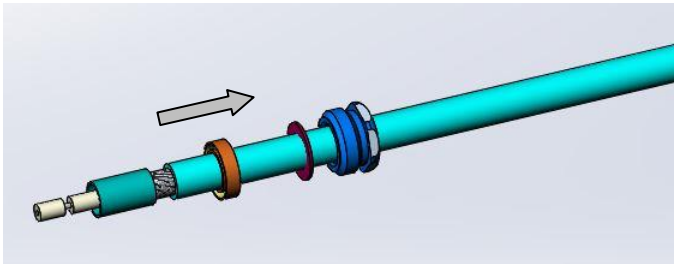
PAGE 3/4	ISSUE 05-01-16G	SERIES HN	PART NUMBER R176256000
----------	-----------------	-----------	------------------------



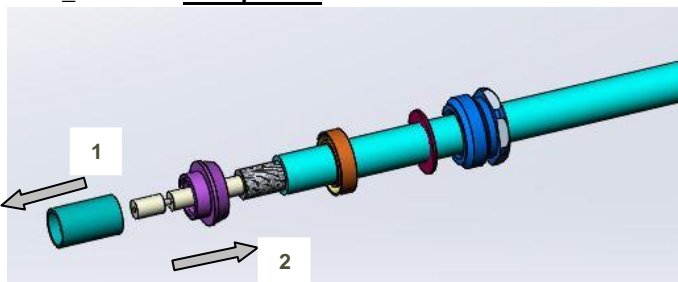
- 1** _ Strip the cable as shown in sketch.



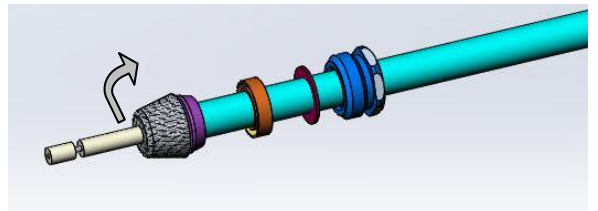
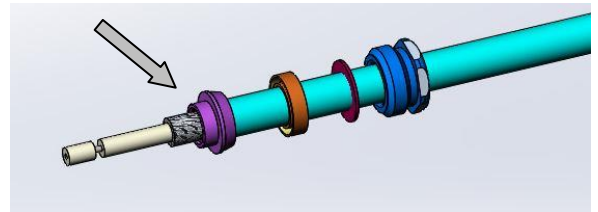
- 2** _ Use gloves for assembly.
_ Slide the heat-shrink sleeve onto the cable (Option).
_ Slide the **Back nut**, the **Washer** and the **Gasket** onto the cable.



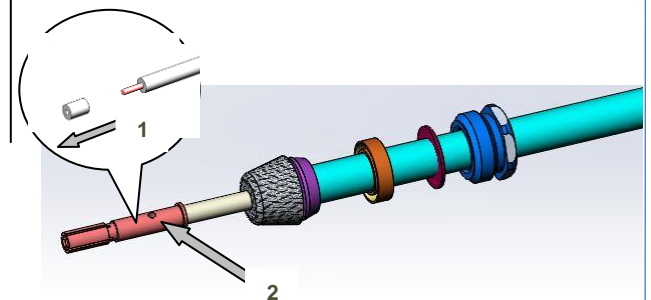
- 3**
1_ Remove the jacket of cable
2_ Slide the **Clamp braid** sleeve over the braid.



- 4**
_ Fan the braid with the needle to unbraid the cable
_ Fold the braid on the clamp braid.

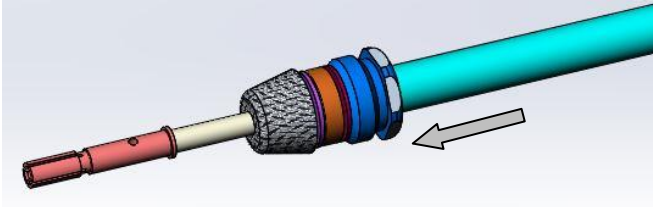


- 5**
1_ Remove the dielectric of cable
2_ Solder the **Center contact** onto the inner conductor with Joule effect soldering + Tool réf. R282.740.000
T° recommended : 280°C ±20°C
_ After soldering, clean the Center contact .



6

_ Slide the **Back nut**, the **Washer** and the **Gasket** onto the **Clamp braid**.



7

- 1 _ Put the sub-assembly in the body
- 2 _ Screw sub-assembly into the connector body with the adapted torque wrench .

Hold the connector with the open-end wrench 11/flats and apply the torque with torque wrench 11/flats.

