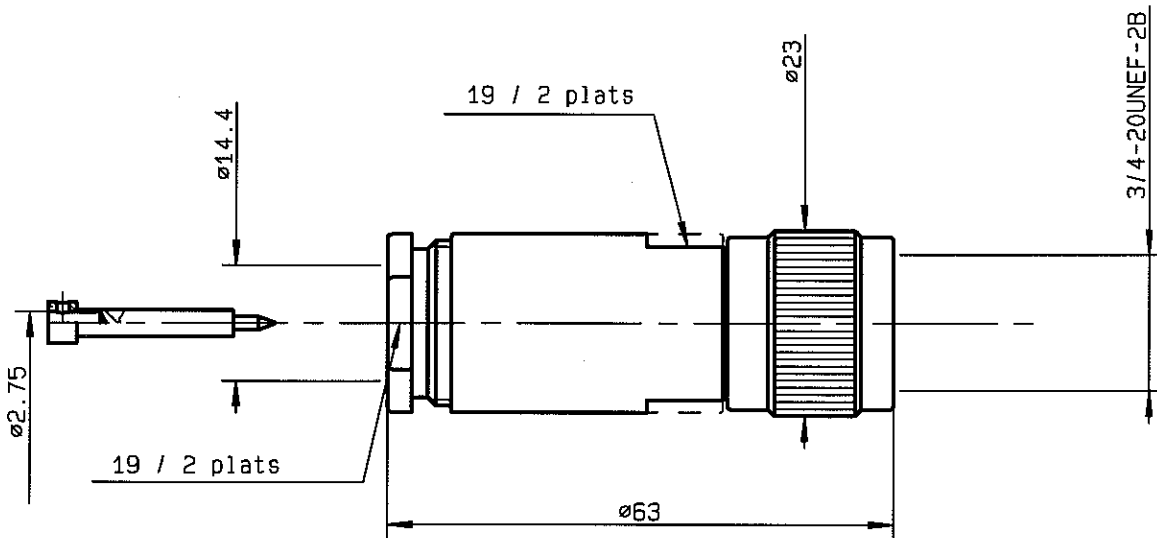


STRAIGHT PLUG CABLE 14/50	R176.027.000
	SERIES HN



NOMINAL IMPEDANCE	50 Ω	CABLES : RG 217 OTHERS CHARACTERISTICS CABLE RETENTION 800 N Mini CENTER CONTACT RETENTION Axial force - mating end NA N Mini Axial force - opposite end 27 N Mini Torque NA cm.N Mini RECOMMENDED TORQUES Mating NA cm.N Panel nut NA cm.N Clamp nut 800 cm.N
FREQUENCY RANGE	0-3 GHz	
TEMPERATURE RATING	-55/+155 °C	
V.S.W.R	TBD + x F(GHz)Maxi	
RF INSERTION LOSS	NA √F(GHz) dB Maxi	
VOLTAGE RATING	TBD Veff Maxi	
DIELECTRIC WITHSTANDING VOLTAGE	8000 Veff Mini	
INSULATION RESISTANCE	5000 M ΩMini	
HERMETIC SEAL	NA Atm.cm ³ /s	
LEAKAGE (pressurized only)	NA	
MECHANICAL DURABILITY	500 Cycles	
WEIGHT	gr	
SPECIFICATION		

CONNECTOR PARTS	MATERIALS	FINISH	(all values are given in micrometers)
BODY	BRASS	NICKEL 2	
OUTER CONTACT	BRASS	NICKEL 2	
CENTER CONTACT	BRASS	SILVER 5 OVER COPPER 0.5	
INSULATOR	PTFE	-	
GASKET	SILICONE RUBBER	-	
OTHERS PIECES	BRASS	NICKEL 2	

ISSUE 0620 E	CREATION DATE 30/11/1992	FILE PART-NUMBER	
------------------------	------------------------------------	------------------	--

BERTHET V

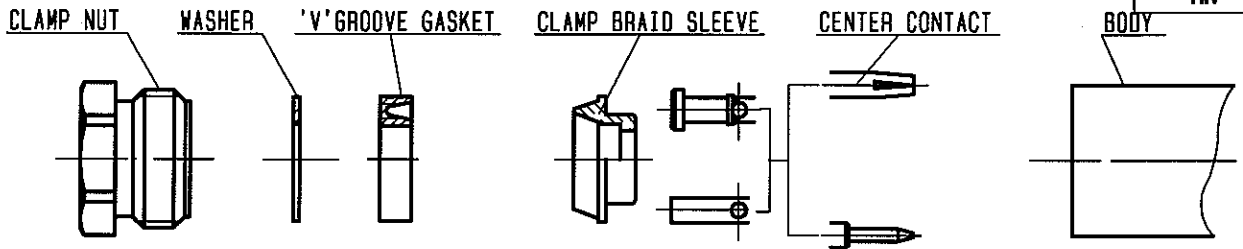
The information given here is subject to change without notice. Design changes may be in order to improve the product.

Connect to the future



R176.027.000

ISSUE 0216D01 SERIES HN



①

Strip the cable .

-
-
-

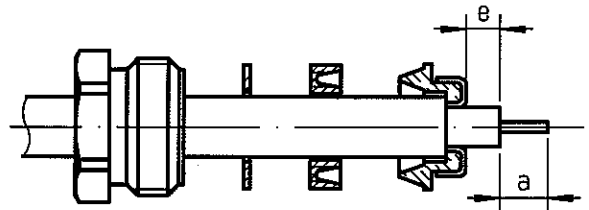


Stripping	a	b	c	d	e
inch	0.236	0.65	0	0	0.295
mm	6	16.5			7.5

②

Slide clamp nut, washer and 'V'groove gasket onto cable .
Slide clamp braid sleeve over braid .
Fold braid back and trim off extra braid.
Trim dielectric back as shown .

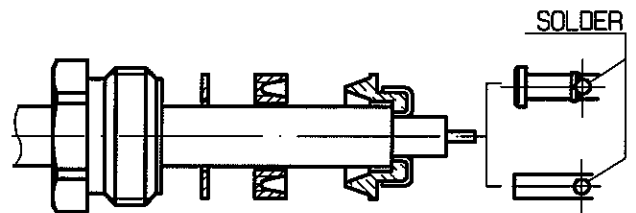
-



③

Solder the center contact onto cable center conductor.

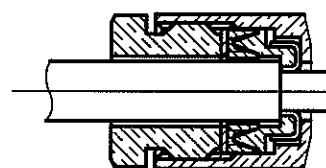
-
-
-
-
-



④

Screw sub-assembly into the connector body .
(recommended coupling torque 800N.cm)
70.8in.lb

-
-



Hex. : 19 mm /flats
Hex. : 0.748inch /flats