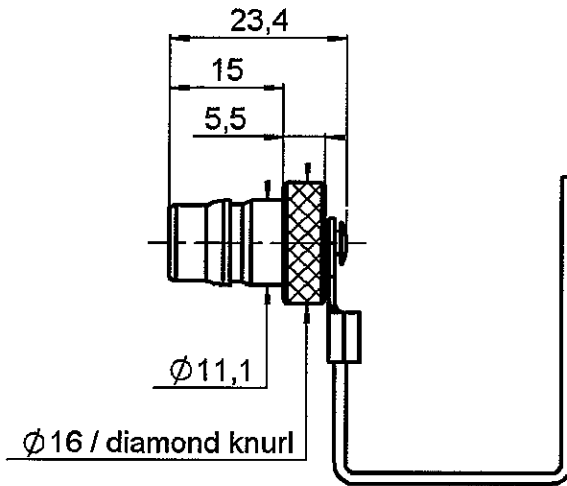


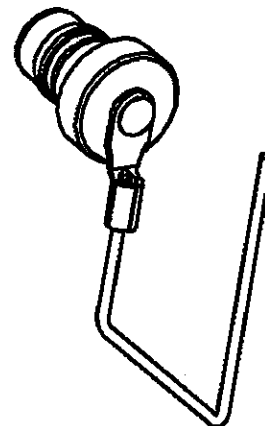
**FEMALE CAP
WITH CORD**

R164.844.000

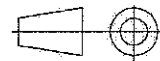
Series : QN



Length of the cord : 100 mm



All dimensions are in mm.



COMPONENTS	MATERIALS	PLATINGS (µm)
BODY	BRASS	BBR-2
CENTER CONTACT		
OUTER CONTACT		
INSULATOR		
GASKET		
OTHERS PARTS	BRASS	BBR 2
-	-	
-	-	

Issue : 0447 A

In the effort to improve our products, we reserve the right to make changes judged to be necessary.



**FEMALE CAP
WITH CORD**

R164.844.000

Series : QN

PACKAGING

Standard	Unit	Other
50	'W' option	Contact us

SPECIFICATION

ELECTRICAL CHARACTERISTICS

Impedance	NA	Ω
Frequency	NA	GHz
VSWR	NA +	0.000 x F(GHz) Maxi
Insertion loss	NA	\sqrt{F} (GHz) dB Maxi
RF leakage	NA - (F(GHz)) dB Maxi
Voltage rating	NA	Veff Maxi
Dielectric withstanding voltage	NA	Veff mini
Insulation resistance	NA	M Ω mini

ENVIRONMENTAL

Operating temperature	-55/+125 °C
Hermetic seal	NA Atm.cm ³ /s
Panel leakage	NA

OTHERS CHARACTERISTICS

Assembly instruction

Others :

MECHANICAL CHARACTERISTICS

Center contact retention	
Axial force – Mating end	NA N mini
Axial force – Opposite end	NA N mini
Torque	NA N.cm mini
Recommended torque	
Mating	NA N.cm
Panel nut	NA N.cm
Mating life	100 Cycles mini
Weight	15.572 g

Issue : 0447 A

In the effort to improve our products, we reserve the right to make changes judged to be necessary.



RADIALL®