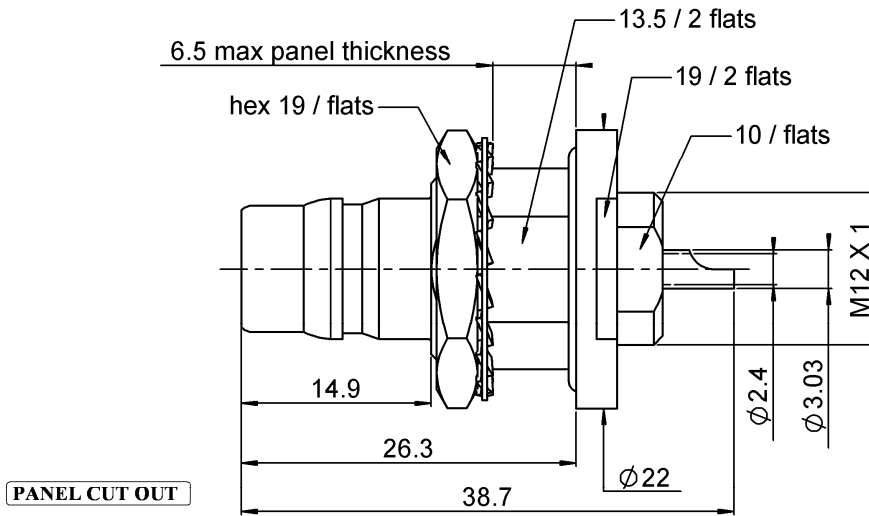


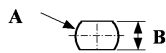
**STR. BULK. RECEPTACLE INTERNAL AND
PANEL SEAL REAR MOUNTING**

R164.606.100

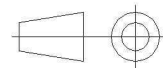
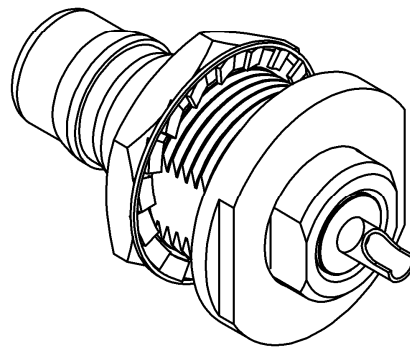
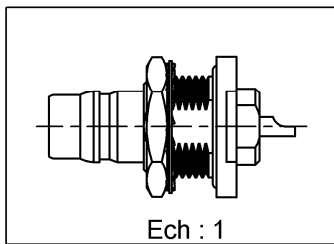
Series : QN



PANEL CUT OUT



mm	
	Maxi mini
A	16.3 16
B	13.9 13.6



All dimensions are in mm.

COMPONENTS	MATERIALS	PLATING (µm)
BODY	BRASS	-BBR 0.5 OVER SILVER 3
CENTER CONTACT	BERYLLIUM COPPER	-GOLD 1.3 OVER COPPER 2.5
OUTER CONTACT		-
INSULATOR	PTFE	
GASKET	SILICONE RUBBER	
OTHERS PARTS	BRASS	BBR 2
-	-	-
-	-	-

Issue : 0812 A

In the effort to improve our products, we reserve the right to make changes judged to be necessary.



**STR. BULK. RECEPTACLE INTERNAL AND
PANEL SEAL REAR MOUNTING**

R164.606.100

Series : QN

PACKAGING

Standard	Unit	Other
50	'W' option	Contact us

SPECIFICATION

ELECTRICAL CHARACTERISTICS

Impedance	50	Ω
Frequency	0-6*	GHz
VSWR	1.6** + 0.0000	x F(GHz) Maxi
Insertion loss	0.35	\sqrt{F} (GHz) dB Maxi
RF leakage	- (***90)	- F(GHz)) dB Maxi
Voltage rating	1000	Veff Maxi
Dielectric withstanding voltage	2000	Veff mini
Insulation resistance	5000	M Ω mini

ENVIRONMENTAL

Operating temperature	-55/+125	$^{\circ}$ C
Hermetic seal		Atm.cm3/s
Panel leakage	IP68	

OTHER CHARACTERISTICS

Assembly instruction

Others :

- * Usable 0-11GHz
- ** Coaxial transmission line only
- ***RF Leakage: -80dB min 3<F<6GHz

MECHANICAL CHARACTERISTICS

Center contact retention		
Axial force – Mating end	27	N mini
Axial force – Opposite end	27	N mini
Torque	2.8	N.cm mini
Recommended torque		
Mating		N.cm
Panel nut	500	N.cm
Mating life	100	Cycles mini
Weight	32.7400	g

Issue : 0812 A

In the effort to improve our products, we reserve the right to make changes judged to be necessary.



PRELIMINARY