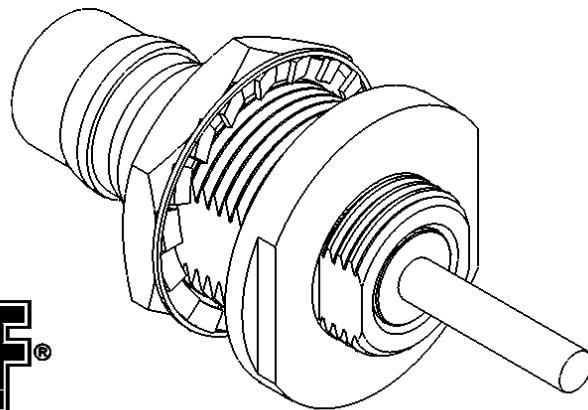
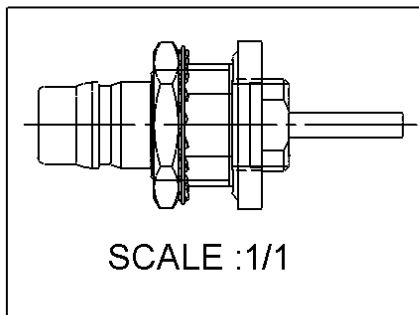
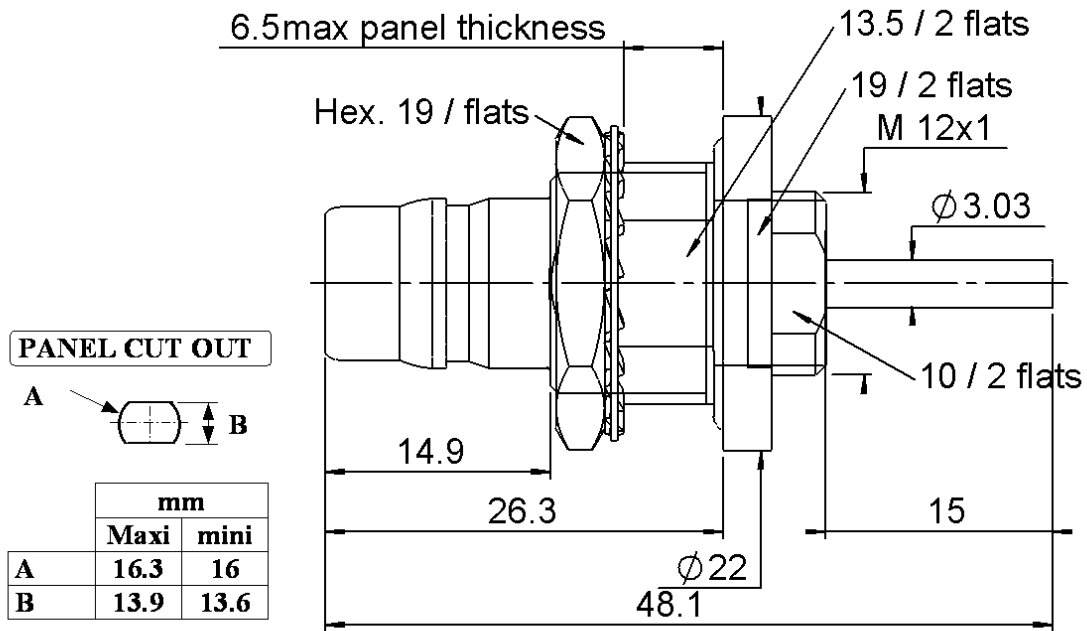


**STR. BULK. RECEPTACLE INTERNAL AND  
PANEL SEAL REAR MOUNTING**

**R164.606.020**

Series : QN



All dimensions are in mm.



COMPONENTS	MATERIALS	PLATING (µm)
BODY	BRASS	BBR 2
CENTER CONTACT	BRONZE	NPGR
OUTER CONTACT	-	-
INSULATOR	PTFE	-
GASKET	-	-
OTHERS PARTS	BRASS	BBR 2
-	-	-
-	-	-

Issue : 0718 B

In the effort to improve our products, we reserve the right to make changes judged to be necessary.



**STR. BULK. RECEPTACLE INTERNAL AND  
PANEL SEAL REAR MOUNTING**

**R164.606.020**

Series : QN

**PACKAGING**

**SPECIFICATION**

Standard	Unit	Other
<b>50</b>	<b>'W' option</b>	<b>Contact us</b>

**ELECTRICAL CHARACTERISTICS**

Impedance	<b>50</b>	$\Omega$
Frequency	<b>0-6</b>	GHz
VSWR	<b>1.6 + 0,0000</b>	x F(GHz) Maxi
Insertion loss	<b>0.35</b>	$\sqrt{F}(\text{GHz})$ dB Maxi
RF leakage	- ( <b>90</b> )	- F(GHz)) dB Maxi
Voltage rating	<b>1000</b>	Veff Maxi
Dielectric withstanding voltage	<b>2000</b>	Veff mini
Insulation resistance	<b>5000</b>	M $\Omega$ mini

**ENVIRONMENTAL**

Operating temperature	<b>-55/+120</b>	$^{\circ}\text{C}$
Hermetic seal	<b>NA</b>	Atm.cm3/s
Panel leakage	<b>IP68</b>	

**OTHER CHARACTERISTICS**

Assembly instruction **NA**

Others :

Usable 0-11GHz

Coaxial transmission line only

RF Leakage: -80dB min 3<F<6GHz

**MECHANICAL CHARACTERISTICS**

Center contact retention		
Axial force – Mating end	<b>18</b>	N mini
Axial force – Opposite end	<b>18</b>	N mini
Torque	<b>2.8</b>	N.cm mini
Recommended torque		
Mating	<b>NA</b>	N.cm
Panel nut	<b>500</b>	N.cm
Mating life	<b>100</b>	Cycles mini
Weight	<b>35,5100</b>	g

Issue : 0718 B

In the effort to improve our products, we reserve the right to make changes judged to be necessary.



PRELIMINARY