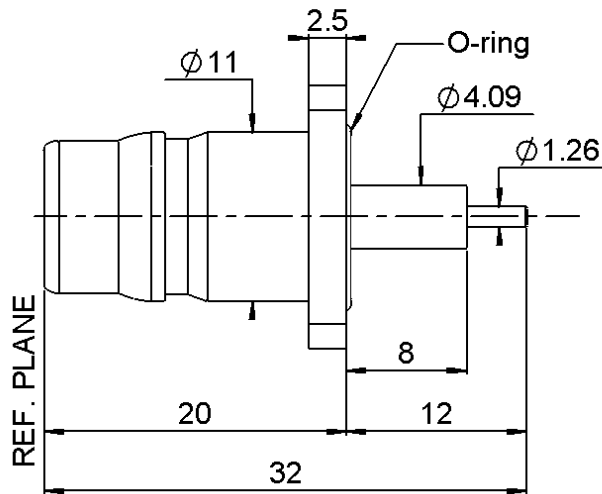
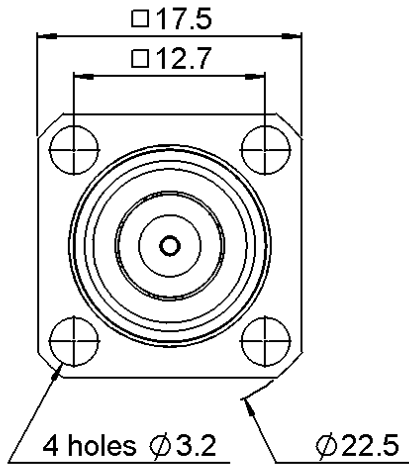


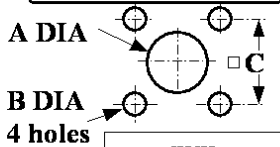
**17.5 SQUARE FLANGE RECEPTACLE
WITH CYLINDRIQUE CONTACT PANEL SEAL**

R164.418.340

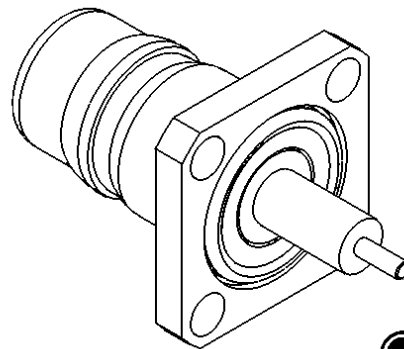
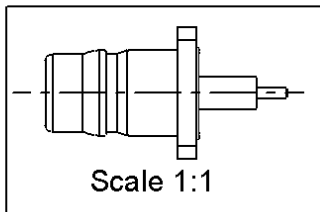
Series : QN



PANEL CUT OUT



| | mm | |
|---|-------|-------|
| | Maxi | mini |
| A | 4.25 | 4.15 |
| B | 3.4 | 3.3 |
| C | 12.75 | 12.65 |



All dimensions are in mm.

| COMPONENTS | MATERIALS | PLATING (µm) |
|----------------|------------------|--------------------------|
| BODY | BRASS | BBR-0.5 OVER SILVER 3 |
| CENTER CONTACT | BERYLLIUM COPPER | GOLD 1.3 OVER COPPER 2.5 |
| OUTER CONTACT | - | |
| INSULATOR | PTFE | |
| GASKET | SILICONE RUBBER | |
| OTHERS PARTS | - | |
| - | - | |
| - | - | |

Issue : 0702 A

In the effort to improve our products, we reserve the right to make changes judged to be necessary.



**17.5 SQUARE FLANGE RECEPTACLE
WITH CYLINDRIQUE CONTACT PANEL SEAL**

R164.418.340

Series : QN

PACKAGING

SPECIFICATION

| Standard | Unit | Other |
|-----------|-------------------|-------------------|
| 50 | 'W' option | Contact us |

ELECTRICAL CHARACTERISTICS

| | | |
|---------------------------------|----------------------|--------------------------|
| Impedance | 50 | Ω |
| Frequency | 0-6 | GHz |
| VSWR | 1.05 + 0,0300 | x F(GHz) Maxi |
| Insertion loss | 0.048 | \sqrt{F} (GHz) dB Maxi |
| RF leakage | - (90 | - F(GHz)) dB Maxi |
| Voltage rating | 1000 | Veff Maxi |
| Dielectric withstanding voltage | 2000 | Veff mini |
| Insulation resistance | 5000 | M Ω mini |

ENVIRONMENTAL

| | | |
|-----------------------|-----------------|--------------|
| Operating temperature | -55/+125 | $^{\circ}$ C |
| Hermetic seal | NA | Atm.cm3/s |
| Panel leakage | IP67 | |

OTHER CHARACTERISTICS

Assembly instruction

Others :

Usable 0-11 GHz
RF Leakage: -80dBm min 3<F<6
PIM3: -112dBm (2 X 20W at 1.8GHz)

MECHANICAL CHARACTERISTICS

| | | |
|----------------------------|----------------|-------------|
| Center contact retention | | |
| Axial force – Mating end | 18 | N mini |
| Axial force – Opposite end | 18 | N mini |
| Torque | 2.8 | N.cm mini |
| Recommended torque | | |
| Mating | NA | N.cm |
| Panel nut | NA | N.cm |
| Mating life | 100 | Cycles mini |
| Weight | 13,5834 | g |

Issue : 0702 A

In the effort to improve our products, we reserve the right to make changes judged to be necessary.



PRELIMINARY