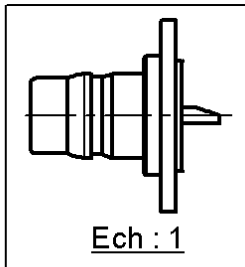
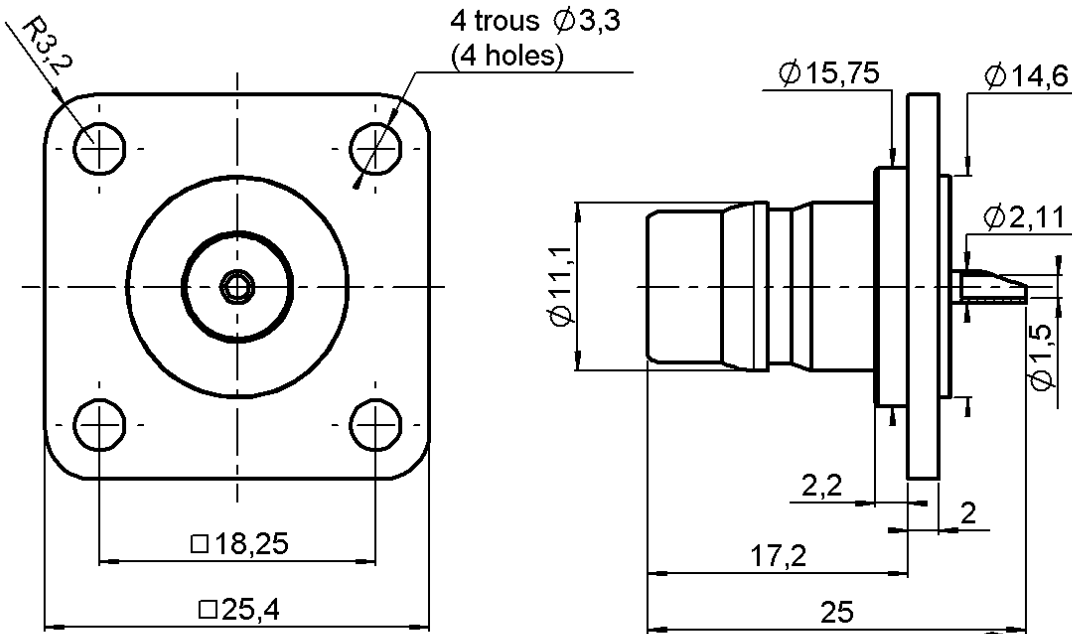


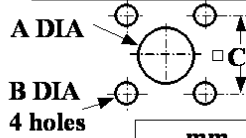
25.4mm SQUARE FLANGE RECEPTACLE

R164.404.000

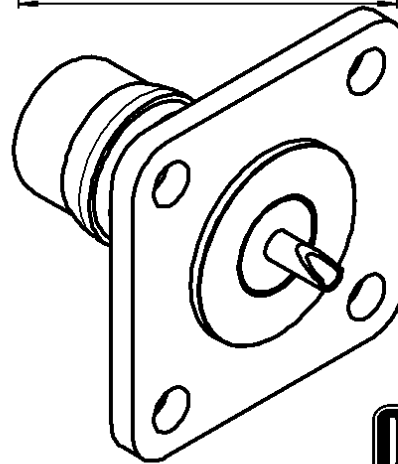
Series : QN



PANEL CUT OUT



	mm	
	Maxi	mini
A (R. Mount)	15.1	15
A (F. Mount)	16.3	16.2
B	3.3	3.2
C	18.35	18.15



All dimensions are in mm.



COMPONENTS	MATERIALS	PLATINGS (µm)
BODY	BRASS	BBR-0.5 OVER SILVER 3
CENTER CONTACT	BERYLLIUM COPPER	GOLD-1.3 OVER COPPER 2.5
OUTER CONTACT		
INSULATOR	PTFE	
GASKET		
OTHERS PARTS		
-	-	-
-	-	-

Issue : 0350 B

In the effort to improve our products, we reserve the right to make changes judged to be necessary.



25.4mm SQUARE FLANGE RECEPTACLE

R164.404.000

Series : QN

PACKAGING

Standard	Unit	Other
50	'W' option	Contact us

SPECIFICATION

ELECTRICAL CHARACTERISTICS

Impedance		50 Ω
Frequency		0-6* GHz
VSWR	1.05 +	0.025 x F(GHz) Maxi
Insertion loss		0.048 √F(GHz) dB Maxi
RF leakage	- (**90 - F(GHz)) dB Maxi
Voltage rating		1000 Veff Maxi
Dielectric withstanding voltage		2000 Veff mini
Insulation resistance		5000 MΩ mini

CABLE ASSEMBLY

Stripping	a	b	c	d	e	f
mm	0.00	0.00	0.00	0.00	0.00	0.00

Assembly instruction :

Recommended cable(s)

MECHANICAL CHARACTERISTICS

Center contact retention		
Axial force – Mating end		18 N mini
Axial force – Opposite end		18 N mini
Torque		NA N.cm mini

Characteristics indicated on this data sheet are those that can be achieved with the highest performance cable. Intrinsic limitations of the cable may diminish the performance of the assembly

Cable retention

- pull off	NA N mini
- torque	NA N.cm

TOOLING

Recommended torque		
Mating	NA N.cm	
Panel nut	NA N.cm	
Clamp nut	NA N.cm	
A/F clamp nut	0.000 mm	

Part Number	Description	Hexagon
.	.	.

OTHERS CHARACTERISTICS

Mating life	100 Cycles mini
Weight	21.017 g

* Usable : 0-11GHz
 **RF Leakage : -80dB min 3<F<6GHz
 ***PIM3 : -f12dBm (2 x 20W at 1.8GHz)

ENVIRONMENTAL

Operating temperature	-55/+125 °C
Hermetic seal	NA Atm.cm3/s
Panel leakage	NA

Issue : 0350 B

In the effort to improve our products, we reserve the right to make changes judged to be necessary.

