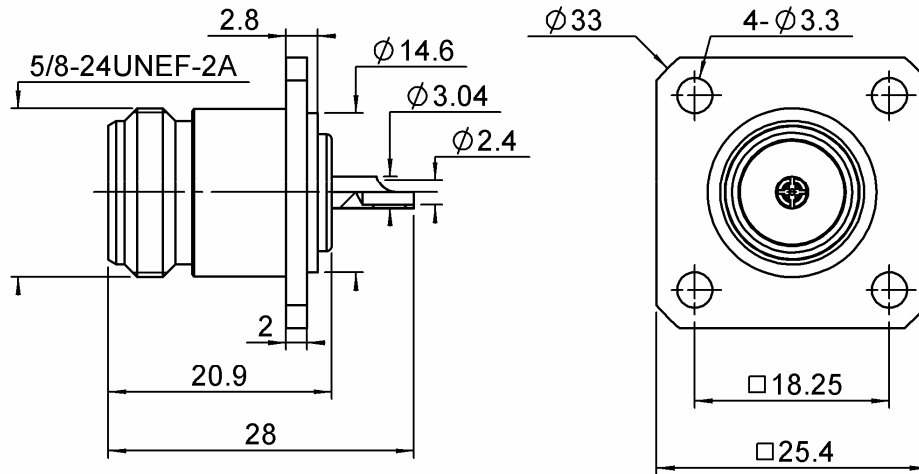


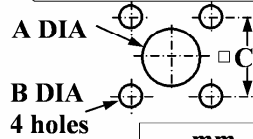
25.4 MM SQUARE FLANGE RECEPTACLE

R161A.404.000

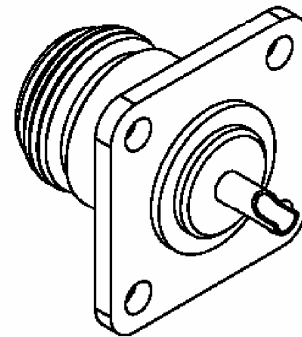
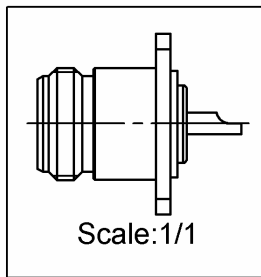
Series : ECO N 50



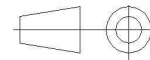
PANEL CUT OUT



	mm	
	Maxi	mini
A (R. Mount)	15.1	15
A (F. Mount)	16.3	16.2
B	3.3	3.2
C	18.35	18.15



All dimensions are in mm.



COMPONENTS	MATERIALS	PLATING (µm)
BODY	BRASS	BBR
CENTER CONTACT	BRONZE	GOLD
OUTER CONTACT		
INSULATOR	PTFE	
GASKET	SILICONE RUBBER	
OTHERS PARTS		
-	-	-
-	-	-

Issue : 0924 A

In the effort to improve our products, we reserve the right to make changes judged to be necessary.



25.4 MM SQUARE FLANGE RECEPTACLE

R161A.404.000

Series : **ECO N 50**

PACKAGING

Standard	Unit	Other
50	'W' option	Contact us

SPECIFICATION

ELECTRICAL CHARACTERISTICS

Impedance	50	Ω
Frequency	0-6	GHz
VSWR	1.2 + 0.0000	x F(GHz) Maxi
Insertion loss	0.1	\sqrt{F} (GHz) dB Maxi
RF leakage	- (NA)	- F(GHz)) dB Maxi
Voltage rating	1400	Veff Maxi
Dielectric withstanding voltage	2500	Veff mini
Insulation resistance	5000	M Ω mini

ENVIRONMENTAL

Operating temperature	-40/+85	$^{\circ}$ C
Hermetic seal	NA	Atm.cm3/s
Panel leakage	NA	

OTHER CHARACTERISTICS

Assembly instruction **NA**

Others :

MECHANICAL CHARACTERISTICS

Center contact retention		
Axial force – Mating end	27	N mini
Axial force – Opposite end	27	N mini
Torque	NA	N.cm mini
Recommended torque		
Mating	NA	N.cm
Panel nut	NA	N.cm
Mating life	100	Cycles mini
Weight	29.7000	g

Issue : 0924 A

In the effort to improve our products, we reserve the right to make changes judged to be necessary.

