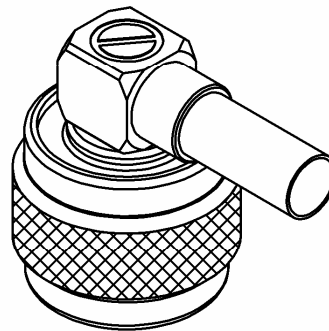
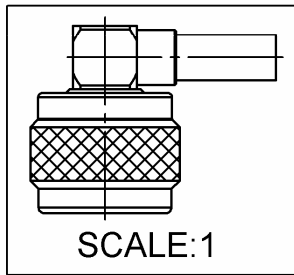
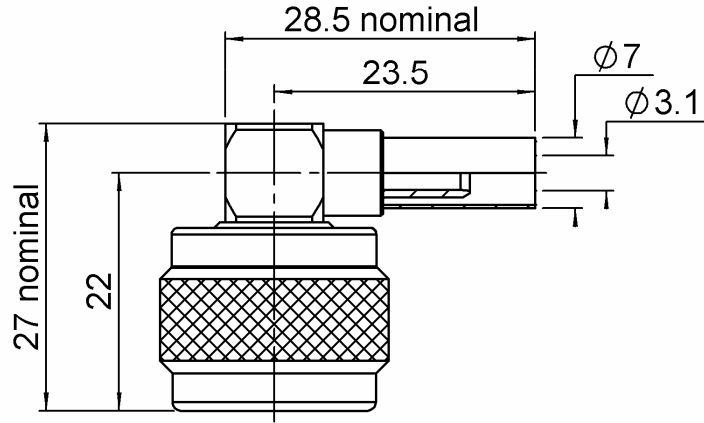


RIGHT ANGLE PLUG CRIMP TYPE

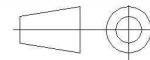
FOR CABLE 5/50D

R161A.183.000

Series : ECO N 50



All dimensions are in mm.



COMPONENTS	MATERIALS	PLATING (µm)
BODY	BRASS	BBR
CENTER CONTACT	BRASS	GOLD
OUTER CONTACT	BRASS	BBR
INSULATOR	PTFE	
GASKET	SILICONE RUBBER	
OTHERS PARTS	BRASS	BBR
-	-	-
-	-	-

Issue : 0911 A

In the effort to improve our products, we reserve the right to make changes judged to be necessary.



RIGHT ANGLE PLUG CRIMP TYPE

R161A.183.000

FOR CABLE 5/50D

Series : **ECO N 50**

PACKAGING

Standard	Unit	Other
50	'W' option	Contact us

SPECIFICATION

ELECTRICAL CHARACTERISTICS

Impedance		50 Ω
Frequency		0-6 GHz
VSWR	1.35 +	0.000 x F(GHz) Maxi
Insertion loss		0.1 √F(GHz) dB Maxi
RF leakage	- (NA - F(GHz)) dB Maxi
Voltage rating		850 Veff Maxi
Dielectric withstanding voltage		1500 Veff mini
Insulation resistance		5000 MΩ mini

CABLE ASSEMBLY

Stripping	a	b	c	d	e	f
mm	2.00	8.50	19.5	0.00	17.5	0.00

Assembly instruction : **Crimp 07**

Recommended cable(s)
 RG 142 FTX
 KX 23
 RG 400
 RG 223

Characteristics indicated on this data sheet are those that can be achieved with the highest performance cable. Intrinsic limitations of the cable may diminish the performance of the assembly

Cable retention

- pull off **200** N mini
 - torque **NA** N.cm

MECHANICAL CHARACTERISTICS

Center contact retention		
Axial force – Mating end		27 N mini
Axial force – Opposite end		27 N mini
Torque		NA N.cm mini

Recommended torque		
Mating		130 N.cm
Panel nut		NA N.cm
Clamp nut		NA N.cm
A/F clamp nut		0.000 mm

Mating life		100 Cycles mini
Weight		32.600 g

TOOLING

Part Number	Description	Hexagon
R282.228.000	CRIMPING TOOL	5.96

OTHER CHARACTERISTICS

ENVIRONMENTAL

Operating temperature		-40/+85 ° C
Hermetic seal		NA Atm.cm3/s
Panel leakage		NA

Issue : **0911 A**

In the effort to improve our products, we reserve the right to make changes judged to be necessary.

