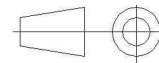
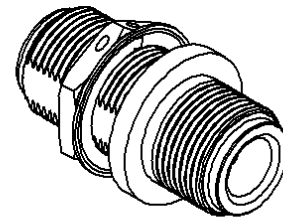
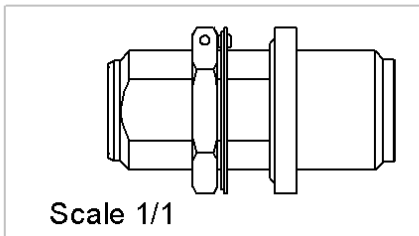
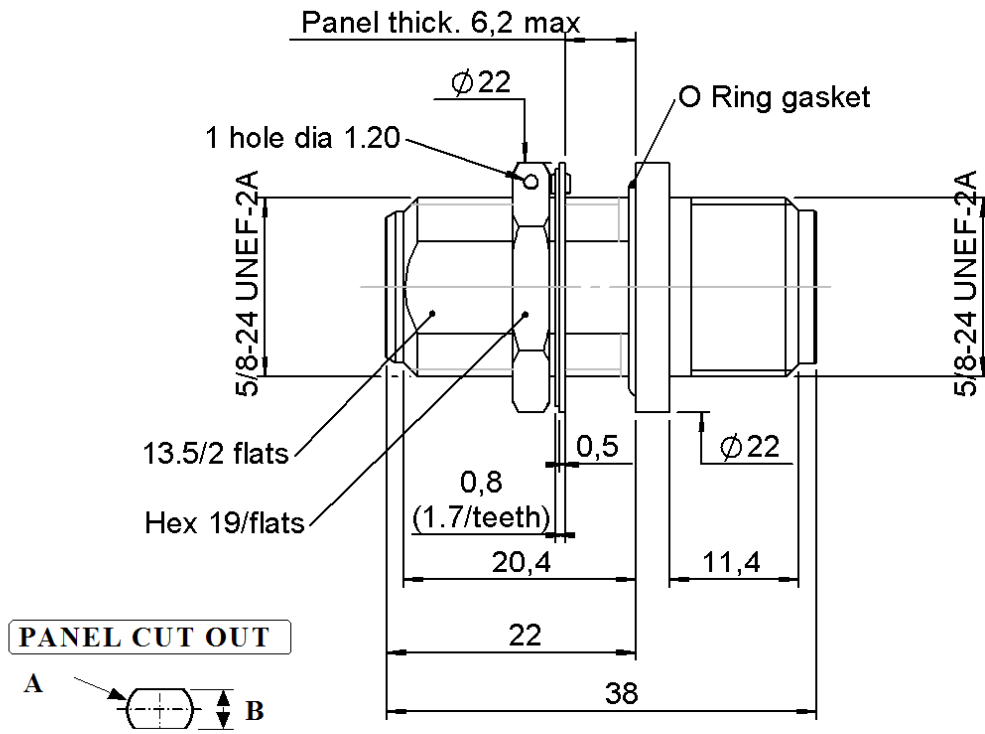


**FEMALE-FEMALE HERMETIC ADAPTOR**

**R161.753.020**

**BULKHEAD TYPE - PANEL SEAL**

Series : N



All dimensions are in mm.

COMPONENTS	MATERIALS	PLATING (µm)
BODY	BRASS	BBR 2
CENTER CONTACT	BERYLLIUM COPPER	GOLD 0.5 OVER NICKEL 2
OUTER CONTACT	BRASS	BBR 2
INSULATOR	PTFE+GLASS BEAD	
GASKET	BLACK FLUOROCARBON	
OTHERS PARTS	BRASS	BBR 2
-	-	-
-	-	-

Issue : 1426 D

In the effort to improve our products, we reserve the right to make changes judged to be necessary.



DRAFT

**FEMALE-FEMALE HERMETIC ADAPTOR**

**R161.753.020**

**BULKHEAD TYPE - PANEL SEAL**

Series : N

**PACKAGING**

**SPECIFICATION**

Standard	Unit	Other
<b>50</b>	<b>'W' option</b>	<b>Contact us</b>

**ASNE0462-TE00 - -**

**ELECTRICAL CHARACTERISTICS**

**ENVIRONMENTAL**

Impedance **50** Ω  
 Frequency **0-11** GHz  
 VSWR **1.45 + 0,0000** x F(GHz) Maxi  
 Insertion loss **0.10** √F(GHz) dB Maxi  
 RF leakage - ( **101** - F(GHz)) dB Maxi  
 Voltage rating **1400** Veff Maxi  
 Dielectric withstanding voltage **2500** Veff mini  
 Insulation resistance **5000** MΩ mini

Operating temperature **-55/+155** ° C  
 Hermetic seal **10-6** Atm.cm3/s  
 Panel leakage **IP67**

**OTHER CHARACTERISTICS**

Assembly instruction

Others :

**MECHANICAL CHARACTERISTICS**

Center contact retention  
 Axial force – Mating end **27** N mini  
 Axial force – Opposite end **27** N mini  
 Torque **NA** N.cm mini

Recommended torque  
 Mating N.cm  
 Panel nut **500** N.cm

Mating life **500** Cycles mini  
 Weight **56,2700** g

Issue : 1426 D

In the effort to improve our products, we reserve the right to make changes judged to be necessary.



DRAFT/PROVISIONARY