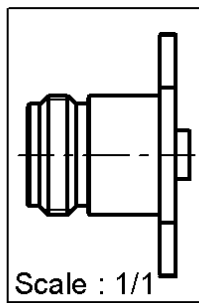
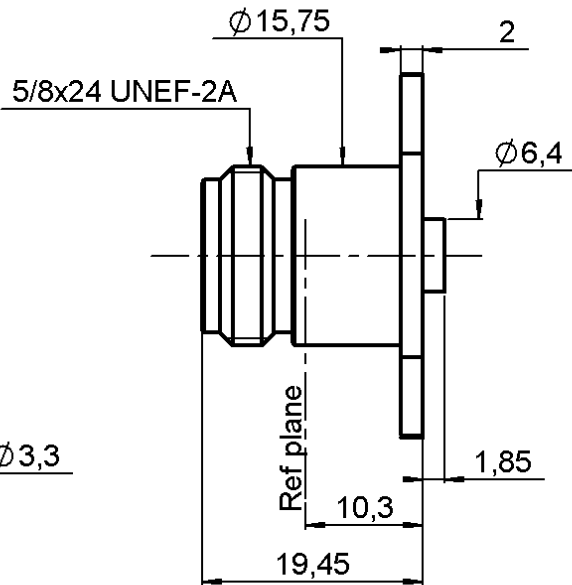
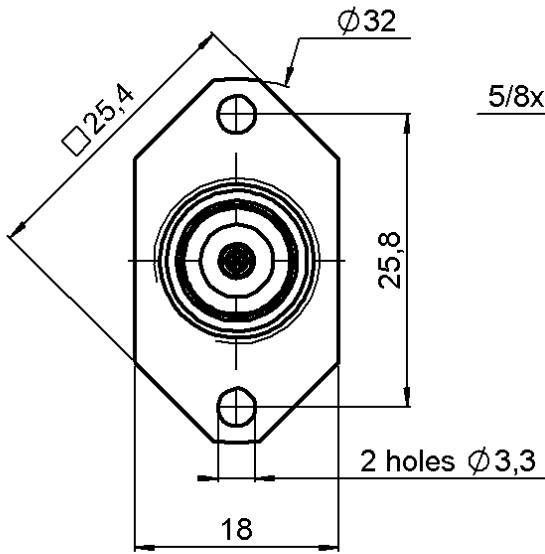


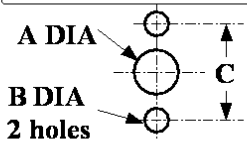
**2 HOLES FLANGE JACK RECEPTACLE
WITH SPECIAL CONTACT**

R161.474.220

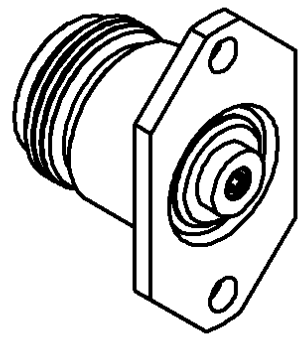
Series : N



PANEL CUT OUT



	mm	
	Maxi	mini
A	9.85	9.75
B	3.3	3.2
C	25.9	25.7



All dimensions are in mm.

COMPONENTS	MATERIALS	PLATINGS (µm)
BODY	BRASS	BBR 2
CENTER CONTACT	BERYLLIUM COPPER	GOLD 1.3 OVER COPPER 2.5
OUTER CONTACT		
INSULATOR	PTFE	
GASKET		
OTHERS PARTS		
-	-	-
-	-	-

Issue : 0330 B

In the effort to improve our products, we reserve the right to make changes judged to be necessary.



**2 HOLES FLANGE JACK RECEPTACLE
WITH SPECIAL CONTACT**

R161.474.220

Series : N

PACKAGING

SPECIFICATION

Standard	Unit	Other
50	'W' option	Contact us

ELECTRICAL CHARACTERISTICS

ENVIRONMENTAL

Impedance		50 Ω
Frequency		0-11 GHz
VSWR	*1.05 +	0.005 x F(GHz) Maxi
Insertion loss		0.048 √F(GHz) dB Maxi
RF leakage	- (- F(GHz)) dB Maxi
Voltage rating		1400 Veff Maxi
Dielectric withstanding voltage		2500 Veff mini
Insulation resistance		5000 MΩ mini

Operating temperature	-55/+155 ° C
Hermetic seal	NA Atm.cm3/s
Panel leakage	NA

OTHERS CHARACTERISTICS

Assembly instruction

Others :

*INTERFACE ONLY

MECHANICAL CHARACTERISTICS

Center contact retention	
Axial force – Mating end	27 N mini
Axial force – Opposite end	27 N mini
Torque	NA N.cm mini
Recommended torque	
Mating	NA N.cm
Panel nut	NA N.cm
Mating life	500 Cycles mini
Weight	25.420 g

Issue : 0330 B

In the effort to improve our products, we reserve the right to make changes judged to be necessary.

