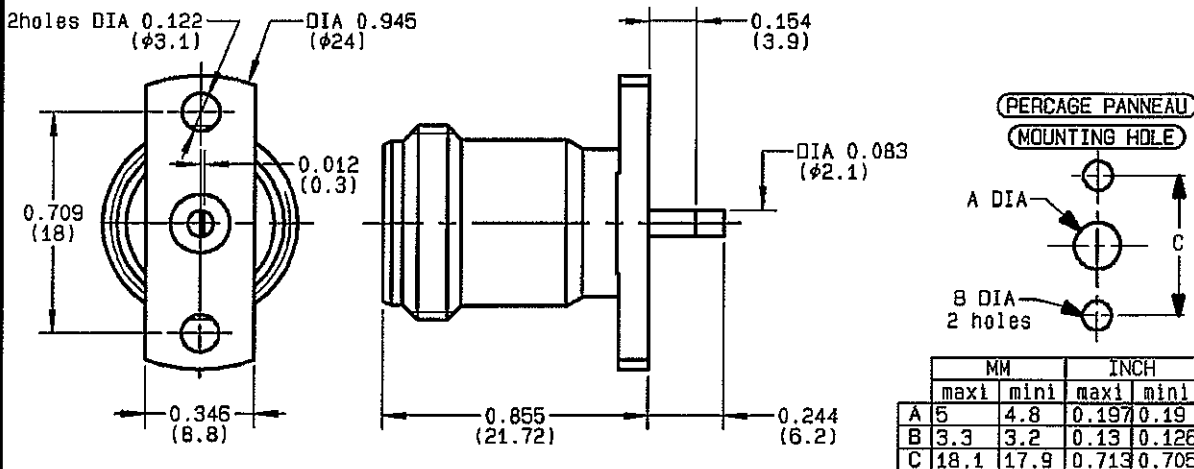


**2 HOLES FLANGE JACK RECEPTACLE
WITH TAB CONTACT**

R161.463.000

SERIES

N



NOMINAL IMPEDANCE	50 Ω
FREQUENCY RANGE	0-11 GHz
TEMPERATURE RATING	-55/+155 °C
V.S.W.R	1.04 + 0.035 x F(GHz)Maxi
RF INSERTION LOSS	0.06 √F(GHz) dB Maxi
VOLTAGE RATING	1400 Veff Maxi
DIELECTRIC WITHSTANDING VOLTAGE	2500 Veff Mini
INSULATION RESISTANCE	5000 MΩMini
HERMETIC SEAL	NA Atm.cm ³ /s
LEAKAGE (pressurized only)	NA
MECHANICAL DURABILITY	500 Cycles
WEIGHT	18.8 gr
SPECIFICATION	

CABLES :	
OTHERS CHARACTERISTICS	isolant Q 200-5
CABLE RETENTION	NA N Mini
CENTER CONTACT RETENTION	
Axial force - mating end	27 N Mini
Axial force - opposite end	27 N Mini
Torque	NA cm.N Mini
RECOMMENDED TORQUES	
Mating	NA cm.N
Panel nut	NA cm.N
Clamp nut	NA cm.N

CONNECTOR PARTS	MATERIALS	FINISH	(all values are given in micrometers)
BODY	BRASS	BBR 2	
OUTER CONTACT	BRASS	BBR 2	
CENTER CONTACT	BERYLLIUM COPPER	GOLD 0.5 OVER NICKEL 2	
INSULATOR	CROSS-LINKED STYRENE COPOLYMER		
GASKET			
OTHERS PIECES			

BONOMINI

ISSUE	CREATION DATE	FILE PART-NUMBER
0523F00	24/03/1993	EPC 96-07



The information given here is subject to change without notice.
Design changes may be in order to improve the product .

Connect to the future