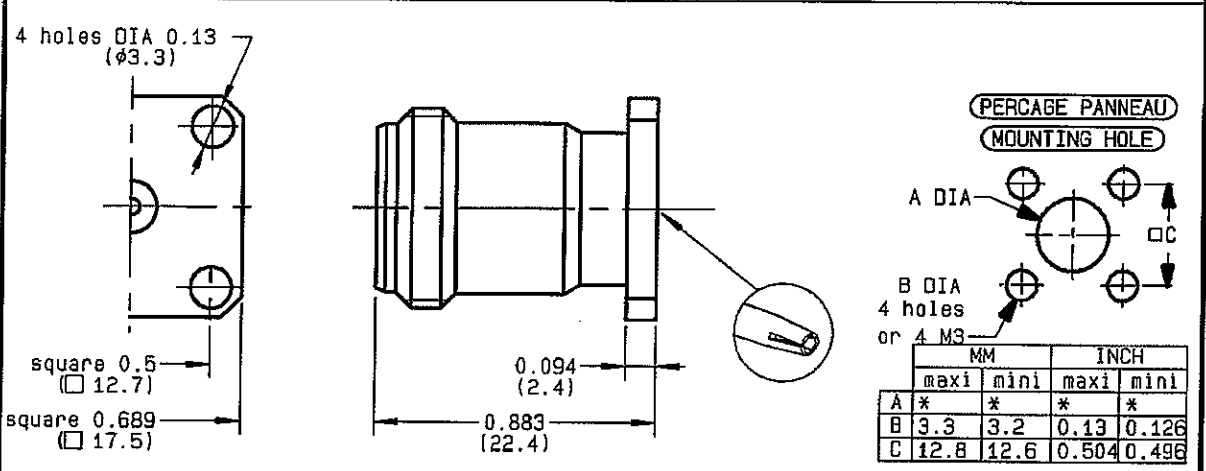


UNIVERSAL 3/4 INCH SQUARE FLANGE JACK RECEPTACLE	R161.418.000 SERIES N
---	--



A DIA * : according to customer's application .
(selon application du client)

<p>NOMINAL IMPEDANCE 50 Ω</p> <p>FREQUENCY RANGE 0-11 GHz</p> <p>TEMPERATURE RATING -55/+155 °C</p> <p>V.S.W.R 1.30 + x F(GHz)Maxi</p> <p>RF INSERTION LOSS 0.048 √F(GHz) dB Maxi</p> <p>VOLTAGE RATING 500 Veff Maxi</p> <p>DIELECTRIC WITHSTANDING VOLTAGE 1000 Veff Mini</p> <p>INSULATION RESISTANCE 5000 MΩMini</p> <p>HERMETIC SEAL NA Atm.cm³/s</p> <p>LEAKAGE (pressurized only) NA</p> <p>MECHANICAL DURABILITY 500 Cycles</p> <p>WEIGHT 20.4 gr</p> <p>SPECIFICATION</p>	<p>CABLES :</p> <p>OTHERS CHARACTERISTICS</p> <p>CABLE RETENTION NA N Mini</p> <p>CENTER CONTACT RETENTION</p> <p>Axial force - mating end 27 N Mini</p> <p>Axial force - opposite end 27 N Mini</p> <p>Torque NA cm.N Mini</p> <p>RECOMMENDED TORQUES</p> <p>Mating NA cm.N</p> <p>Panel nut NA cm.N</p> <p>Clamp nut NA cm.N</p>
---	---

CONNECTOR PARTS:	MATERIALS	FINISH
BODY	BRASS	BBR 2
OUTER CONTACT	BRASS	BBR 2
CENTER CONTACT	BERYLLIUM COPPER	GOLD 0.5 OVER NICKEL 2
INSULATOR	PTFE	-
GASKET		-
OTHERS PIECES		-

(all values are given in micrometers)

<p style="writing-mode: vertical-rl; transform: rotate(180deg);">BONDIMINI</p> <p>ISSUE 0515J00</p>	<p>CREATION DATE 24/03/1993</p>	<p>FILE PART-NUMBER</p>	
--	--	-------------------------	--

The information given here is subject to change without notice.
Design changes may be in order to improve the product.

Connect to the future