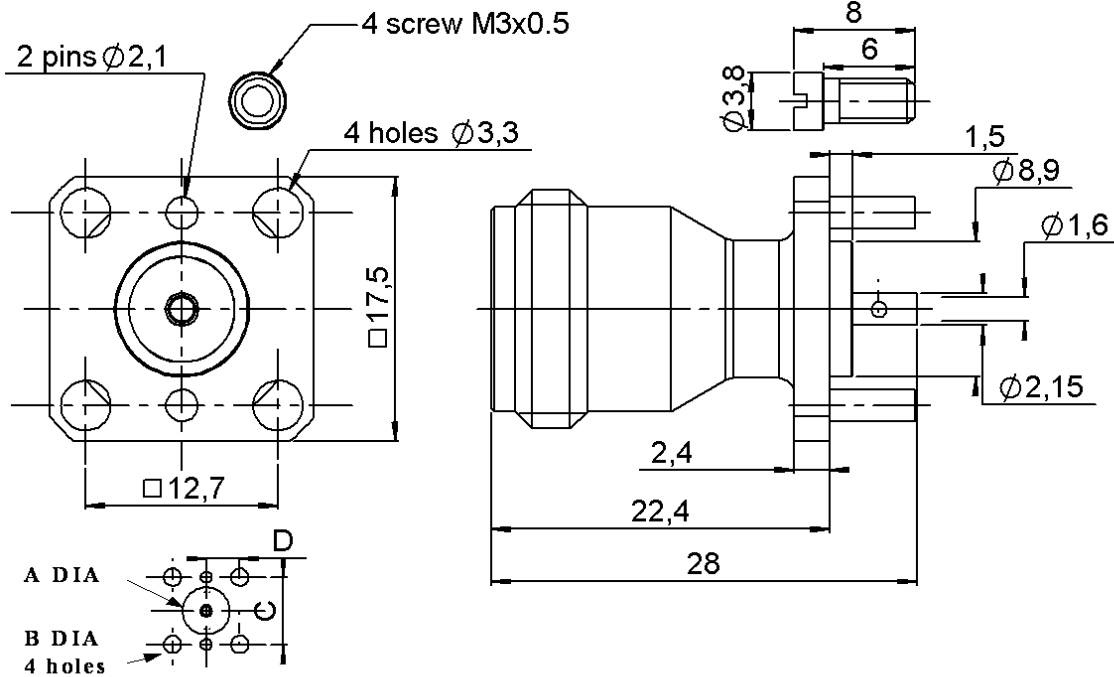


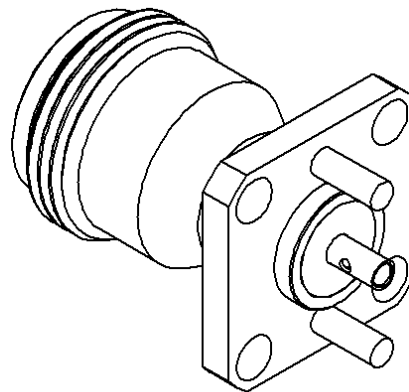
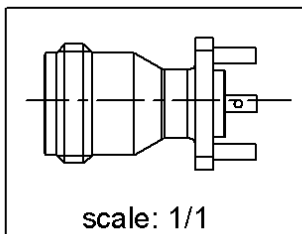
**3/4 INCH SQUARE FLANGE JACK RECEPTACLE
WITH SOLDER POT CONTACT - PACK. 50**

R161.410.537

Series : N



m m		
	Maxi	mini
A	9.4	9.2
B	M3	M3
C	12.8	12.6
D	2.3	2.2



All dimensions are in mm.



COMPONENTS	MATERIALS	PLATING (µm)
BODY	BRASS	BBR 2
CENTER CONTACT	BERYLLIUM COPPER	SILVER 5 OVER COPPER 0.5
OUTER CONTACT	-	-
INSULATOR	PTFE	-
GASKET	-	-
OTHERS PARTS	BRASS	BBR 2
-	-	-
-	-	-

Issue : 0708 D

In the effort to improve our products, we reserve the right to make changes judged to be necessary.



**3/4 INCH SQUARE FLANGE JACK RECEPTACLE
WITH SOLDER POT CONTACT - PACK. 50**

R161.410.537

Series : N

PACKAGING

SPECIFICATION

Standard	Unit	Other
50	'W' option	Contact us

ELECTRICAL CHARACTERISTICS

ENVIRONMENTAL

Impedance	50	Ω
Frequency	0-11	GHz
VSWR	1.04 + 0,0040	x F(GHz) Maxi
Insertion loss	.015*	\sqrt{F} (GHz) dB Maxi
RF leakage	- (101)	- F(GHz)) dB Maxi
Voltage rating	850	Veff Maxi
Dielectric withstanding voltage	2500	Veff mini
Insulation resistance	5000	M Ω mini

Operating temperature	-55/+155	$^{\circ}$ C
Hermetic seal	NA	Atm.cm3/s
Panel leakage	NA	

OTHER CHARACTERISTICS

Assembly instruction

Others :

* Coaxial Transmission Line Only

MECHANICAL CHARACTERISTICS

Center contact retention		
Axial force – Mating end	27	N mini
Axial force – Opposite end	27	N mini
Torque	NA	N.cm mini
Recommended torque		
Mating	NA	N.cm
Panel nut	NA	N.cm
Mating life	500	Cycles mini
Weight	22,1000	g

Issue : 0708 D

In the effort to improve our products, we reserve the right to make changes judged to be necessary.

