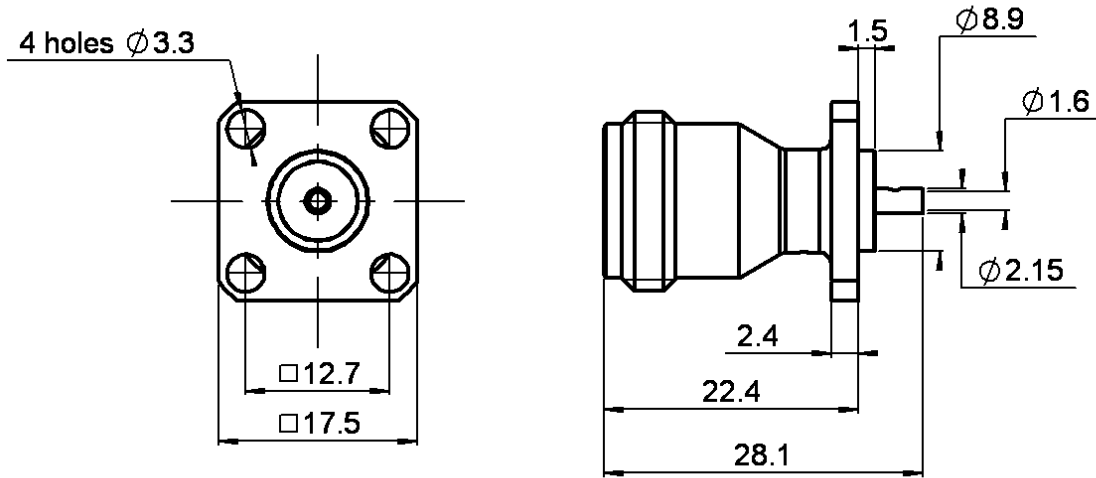


17.5 MM SQUARE FLANGE RECEPTACLE

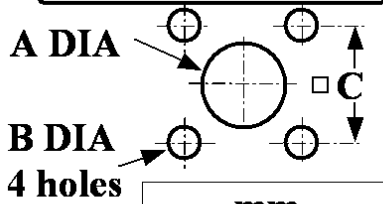
R161.410.000

PACKAGING BY 50

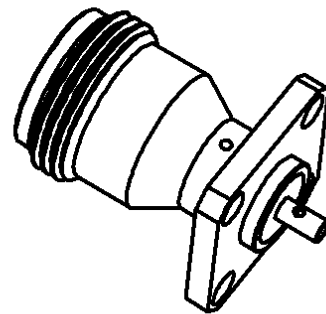
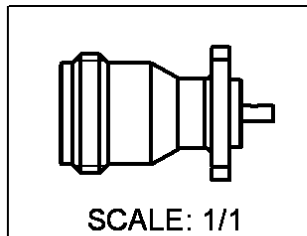
Series : N



PANEL CUT OUT



	mm	
	Maxi	mini
A	9.4	9.2
B	3.3	3.2
C	12.8	12.6



All dimensions are in mm.

COMPONENTS	MATERIALS	PLATINGS (µm)
BODY	BRASS	BBR 2
CENTER CONTACT	BRONZE	GOLD 0.5 OVER NICKEL 2
OUTER CONTACT		
INSULATOR	PTFE	
GASKET		
OTHERS PARTS		
-	-	-
-	-	-

Issue : 0218 M

In the effort to improve our products, we reserve the right to make changes judged to be necessary.



17.5 MM SQUARE FLANGE RECEPTACLE

R161.410.000

PACKAGING BY 50

Series : N

PACKAGING

SPECIFICATION

Standard	Unit	Other
50	'W' option	Contact us

ELECTRICAL CHARACTERISTICS

ENVIRONMENTAL

Impedance		50 Ω
Frequency		0-11 GHz
VSWR	1.4* +	0.000 x F(GHz) Maxi
Insertion loss		0.15 √F(GHz) dB Maxi
RF leakage	- (101 - F(GHz)) dB Maxi
Voltage rating		850 Veff Maxi
Dielectric withstanding voltage		2500 Veff mini
Insulation resistance		5000 MΩ mini

Operating temperature	-55/+120 ° C
Hermetic seal	NA Atm.cm3/s
Panel leakage	NA

OTHERS CHARACTERISTICS

Assembly instruction

Others :

*Coax Transmisson Line Only

MECHANICAL CHARACTERISTICS

Center contact retention		
Axial force – Mating end		27 N mini
Axial force – Opposite end		27 N mini
Torque		NA N.cm mini
Recommended torque		
Mating		NA N.cm
Panel nut		NA N.cm
Mating life		500 Cycles mini
Weight		20.397 g

Issue : 0218 M

In the effort to improve our products, we reserve the right to make changes judged to be necessary.

