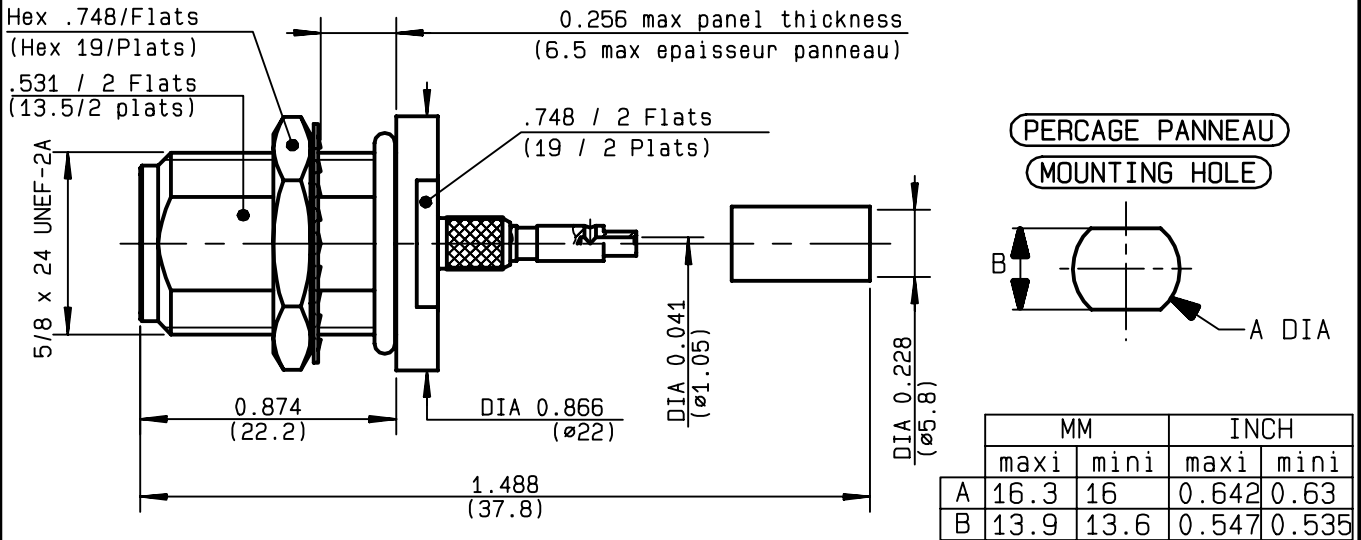


**STRAIGHT BULKHEAD JACK PANEL SEAL
FULL CRIMP-TYPE - CABLE 5/50 D**

R161.329.427
SERIES N



NOMINAL IMPEDANCE	50 Ω
FREQUENCY RANGE	0-11 GHz
TEMPERATURE RATING	-55/+155 °C
V.S.W.R	1.40 + x F(GHz)Maxi
RF INSERTION LOSS	0.048 √F(GHz) dB Maxi
VOLTAGE RATING	850 Veff Maxi
DIELECTRIC WITHSTANDING VOLTAGE	1500 Veff Mini
INSULATION RESISTANCE	5000 MΩMini
HERMETIC SEAL	NA Atm.cm ³ /s
LEAKAGE (pressurized only)	IP 3
MECHANICAL DURABILITY	500 Cycles
WEIGHT	35.7 gr
SPECIFICATION	

CABLES : **KX 23**
RG 142
RG 142 FTX
RG 223
RG 400

OTHERS CHARACTERISTICS

CABLE RETENTION	200	N Mini
CENTER CONTACT RETENTION		
Axial force - mating end	27	N Mini
Axial force - opposite end	27	N Mini
Torque	NA	cm.N Mini
RECOMMENDED TORQUES		
Mating	NA	cm.N
Panel nut	500	cm.N
Clamp nut	NA	cm.N

CONNECTOR PARTS	MATERIALS	FINISH	(all values are given in micrometers)
BODY	BRASS	BBR 2	
OUTER CONTACT			
CENTER CONTACT	PHOSPHOR BRONZE	GOLD 2.5 OVER COPPER 2.5	
INSULATOR	PTFE	-	
GASKET	SILICONE RUBBER	-	
OTHERS PIECES	BRASS	BBR 2	

ISSUE	CREATION DATE	FILE PART-NUMBER
9823C01	21/11/1996	95-0132-975



CLAVEL

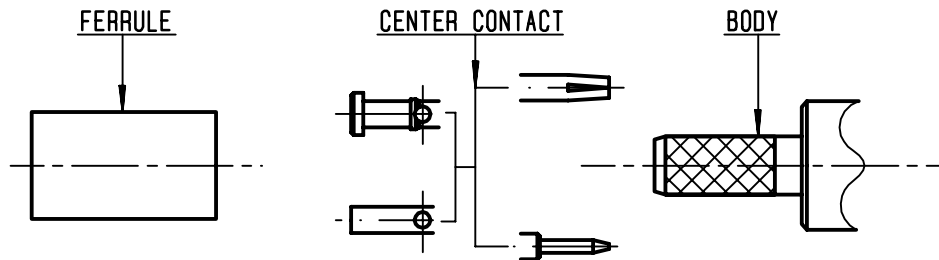
The information given here is subject to change without notice.
Design changes may be in order to improve the product .

Connect to the future



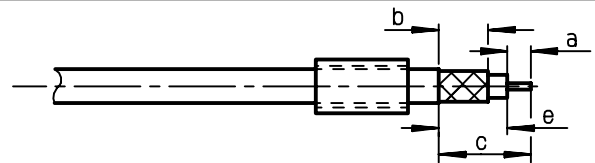
R161.329.427

ISSUE **9823C01** SERIES **N**



①

Slide onto the cable the ferrule
Strip the cable .
-
-

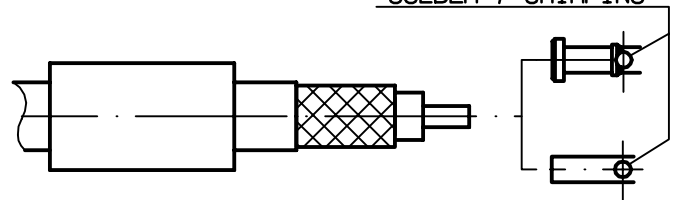


Stripping	a	b	c	d	e
inch	0.142	0.303	0.547	0	0.406
mm	3.6	7.7	13.9		10.3

②

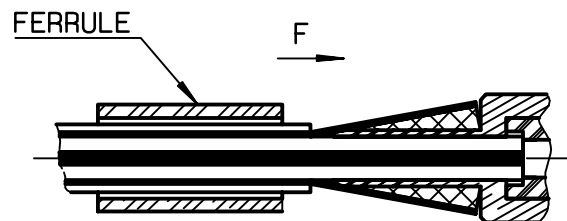
Slide on center contact until it bottoms against cable dielectrique .
Solder or crimp center contact .
Crimping tool : R282 223 000 (Hex. : .068)
or R282 293 000 (M22520/5-01)
+ dies R282 235 011 (M22520/5-11) .
-
-
-

SOLDER / CRIMPING



③

Fan the braid .
Slide cable into the body until bottoms against insulator .
Slide ferrule over the braid .
(In direction F)



④

Crimp the ferrule with crimping tool R 282 223 000 (Hex. : .213) or crimping tool R282 293 000 (M22520/5-01)
+ dies R282 235 011 (M22520/5-11)
Cut the excess of braid .
-
-
-
-

