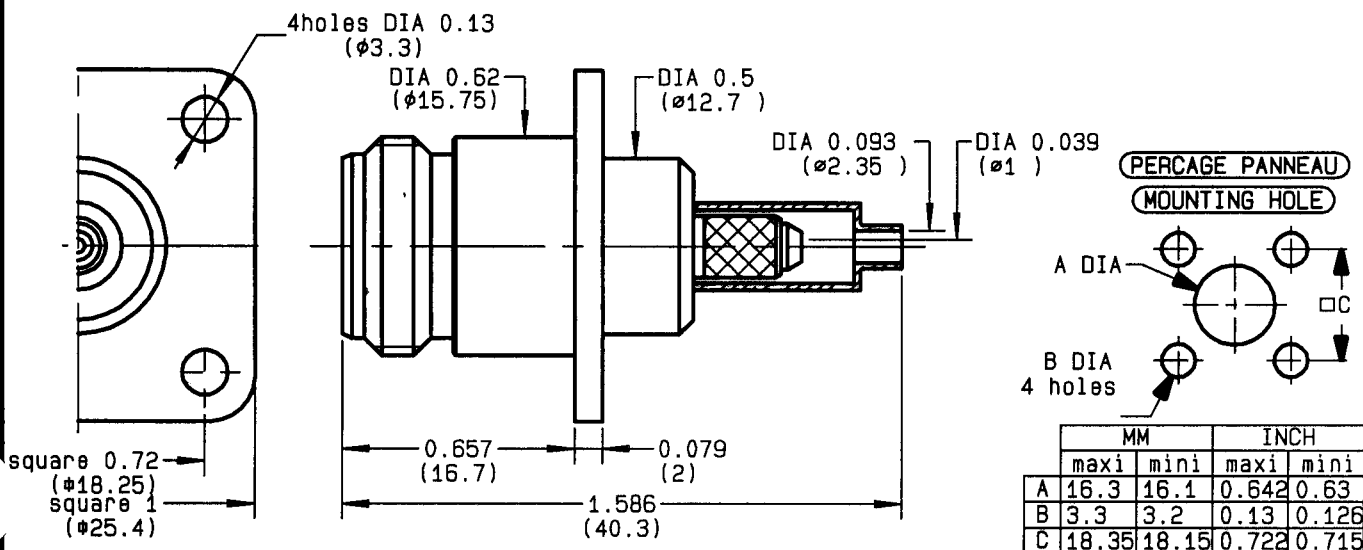


**STRAIGHT SQUARE FLANGE JACK
CRIMP TYPE - CABLE 2/50 S+D**

R161.281.000
SERIES N



NOMINAL IMPEDANCE	50 Ω
FREQUENCY RANGE	0-11 GHz
TEMPERATURE RATING	-55/+155 °C
V.S.W.R	1.20* + x F(GHz)Maxi
RF INSERTION LOSS	0.048 √F(GHz) dB Maxi
VOLTAGE RATING	250 Veff Maxi
DIELECTRIC WITHSTANDING VOLTAGE	750 Veff Mini
INSULATION RESISTANCE	5000 MΩMini
HERMETIC SEAL	NA Atm.cm ³ /s
LEAKAGE (pressurized only)	NA
MECHANICAL DURABILITY	500 Cycles
WEIGHT	36.5 gr
SPECIFICATION	* 0-3 GHz.

CABLES : **ETUDE 124416**
KX 21
RG 178
RG 178 LC
RG 196

OTHERS CHARACTERISTICS

CABLE RETENTION	40 N Mini
CENTER CONTACT RETENTION	
Axial force - mating end	68 N Mini
Axial force - opposite end	68 N Mini
Torque	NA cm.N Mini
RECOMMENDED TORQUES	
Mating	NA cm.N
Panel nut	NA cm.N
Clamp nut	NA cm.N

CONNECTOR PARTS	MATERIALS	FINISH	(all values are given in micrometers)
BODY	BRASS	BBR 2	
OUTER CONTACT	BRASS	BBR 2	
CENTER CONTACT	BERYLLIUM COPPER	GOLD 0.5 OVER NICKEL 2	
INSULATOR	PTFE	-	
GASKET	-	-	
OTHERS PIECES	BRASS	BBR 2	

ISSUE **9912C00** CREATION DATE **09-APR-97** FILE PART-NUMBER **EPC 96-07**



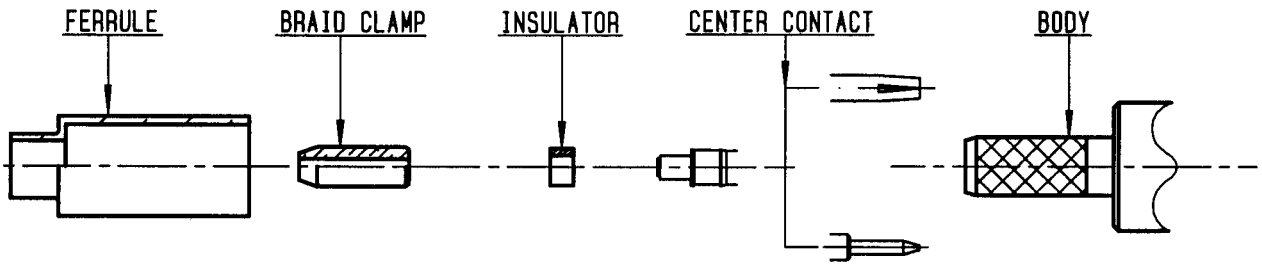


RADIALL®

R161.281.000

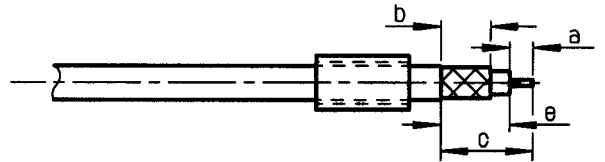
ISSUE 9912C00

SERIES N



①

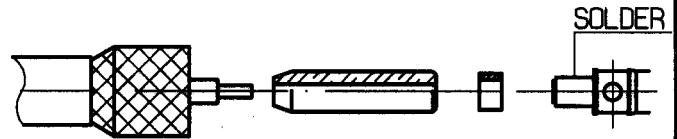
Slide onto the cable the ferrule
Strip the cable .



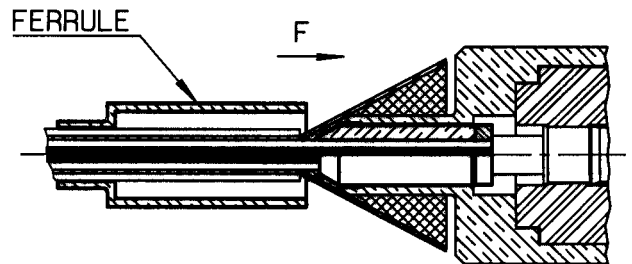
Stripping	a	b	c	d	e
inch	0.157	0.354	0.591	0	0.433
mm	4	9	15		11

②

Fan the braid .
Slide the braid clamp and insulator
between the dielectrique and the braid .
Slide on centre contact until it
bottoms against cable dielectrique .
Solder center contact .



Slide cable dielectric into the body
while gently ginding the braid over the knurl
Push until the dielectric clicks into
position .
Slide ferrule over braid in direction F .



④

Crimp the ferrule with crimping tool
R 282 223 000 (Hex. : 0.213) or
crimping tool R282 293 000 (M22520/5-01)
+ dies R282 235 011 (M22520/5-11)
Cut the excess of braid .

