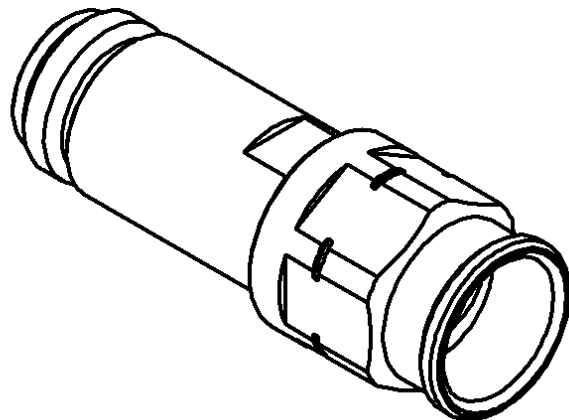
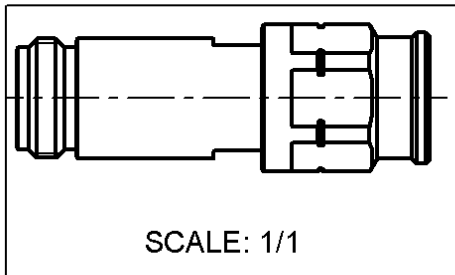
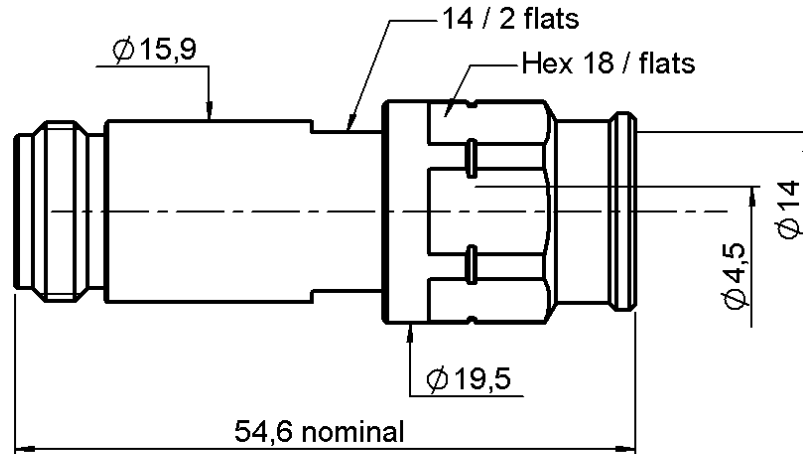


STRAIGHT JACK CLAMP TYPE

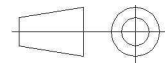
R161.232.407

CABLE 1/2" SPIRALE

Series : N



All dimensions are in mm.



COMPONENTS	MATERIALS	PLATINGS (μm)
BODY	BRASS	BBR 0.5 OVER SILVER 3
CENTER CONTACT	BERYLLIUM COPPER	SILVER 3 OVER COPPER 0.5
OUTER CONTACT	-	-
INSULATOR	PTFE	-
GASKET	SILICONE RUBBER	-
OTHERS PARTS	BRASS	BBR 0.5 OVER SILVER 3
-	-	-
-	-	-

Issue : 0825 C

In the effort to improve our products, we reserve the right to make changes judged to be necessary.



RADIALL®

STRAIGHT JACK CLAMP TYPE

R161.232.407

CABLE 1/2" SPIRALE

Series : N

PACKAGING

Standard	Unit	Other
50	'W' option	Contact us

SPECIFICATION

ELECTRICAL CHARACTERISTICS

Impedance	50	Ω
Frequency	0-11	GHz
VSWR	1.10 + 0,0300	x F(GHz) Maxi
Insertion loss	0.048	\sqrt{F} (GHz) dB Maxi
RF leakage	- (101)	- F(GHz)) dB Maxi
Voltage rating	1400	Veff Maxi
Dielectric withstanding voltage	2500	Veff mini
Insulation resistance	5000	M Ω mini

CABLE ASSEMBLY

Stripping	a	b	c	d	e	f
mm	5,50	5,00	11,5	0,00	0,00	0,00

Assembly instruction :

desnor
FSJ4RN-50B
HCF 1/2" Cu2Y;
FSJ4P-50B-4 - 1/2"

Cable retention

- pull off **500** N mini
- torque **NA** N.cm

MECHANICAL CHARACTERISTICS

Center contact retention		
Axial force – Mating end	68	N mini
Axial force – Opposite end	68	N mini
Torque	NA	N.cm mini

TOOLING

Part Number	Description	Hexagon
.	.	.
R282.010.050	STRIPPING TOOL	
R282.303.220	TORQUE SPANNER .708 in 84.075 in.lb	

Recommended torque		
Mating	NA	N.cm
Panel nut	NA	N.cm
Clamp nut	950	N.cm
A/F clamp nut	18,0000	mm

OTHERS CHARACTERISTICS

PIM3 < -155 dBc (-112 dBm) 2x20W

Mating life	500	Cycles mini
Weight	53,2000	g

ENVIRONMENTAL

Operating temperature	-55/+105	$^{\circ}$ C
Hermetic seal	NA	Atm.cm3/s
Panel leakage	NA	

Issue : 0825 C

In the effort to improve our products, we reserve the right to make changes judged to be necessary.

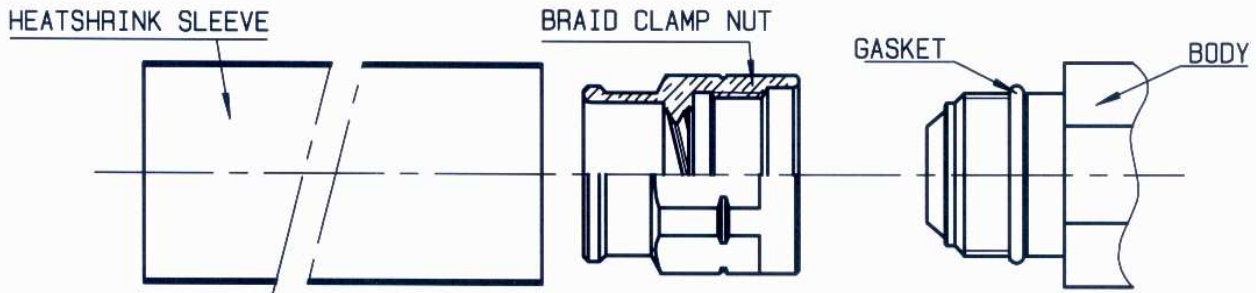


STRAIGHT JACK CLAMP TYPE

R161.232.407

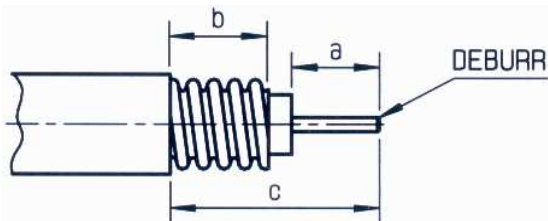
CABLE 1/2" SPIRALE

Series : N



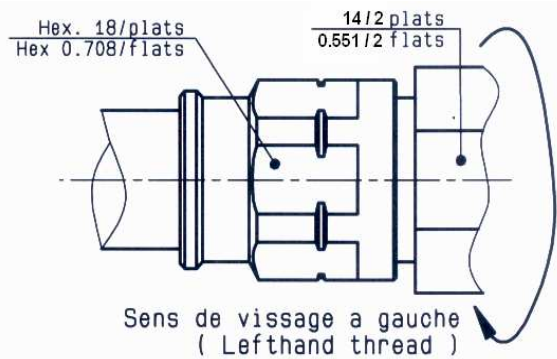
1

- Strip the cable
- Do not damage the outer conductor.
- Deburr cable inner conductor.



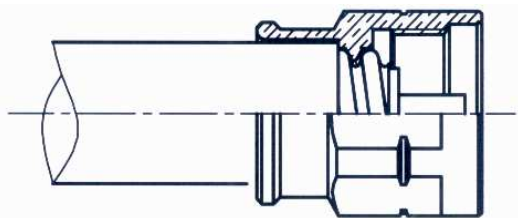
3

- Screw the connector onto the assembly.
WARNING : Screw the connector on the braid clamp nut turning left (left-hand thread) so that the copper outer conductor is being squeezed.

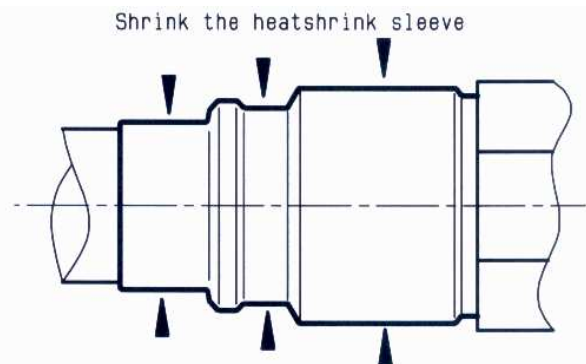


2

- Slide the heatshrink sleeve onto the cable.
- Screw manually the braid clamp nut onto cable outer conductor until stop.



4



Issue : 0825 C

In the effort to improve our products, we reserve the right to make changes judged to be necessary.

