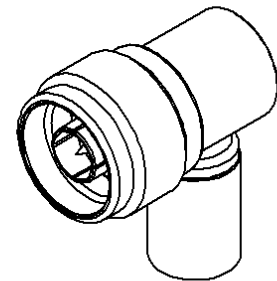
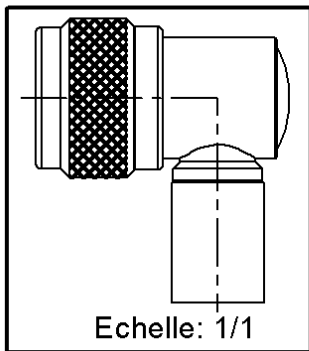
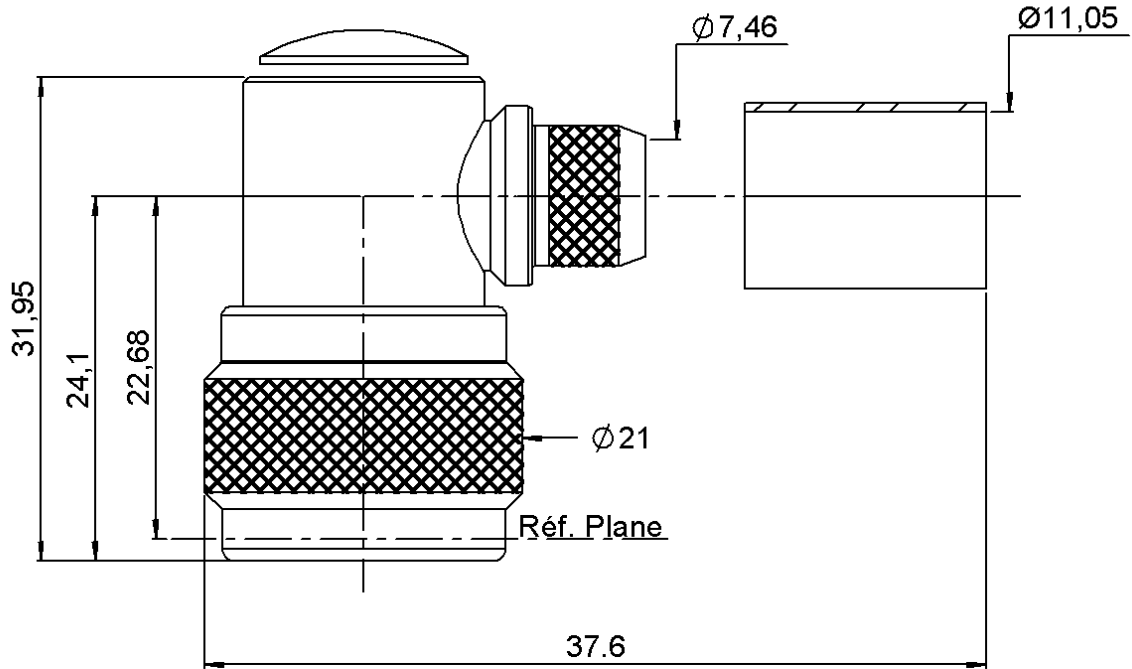
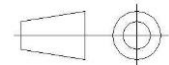


PAGE 1/3	ISSUE 01-03-17A	SERIES N	PART NUMBER R161184000
----------	-----------------	----------	------------------------



All dimensions are in mm.



COMPONENTS	MATERIALS	PLATING (µm)
Body	BRASS	BBR
Center contact	BRASS	GOLD OVER NICKEL
Outer contact	BRASS	BBR
Insulator	PTFE	
Gasket	SILICONE RUBBER	
Others parts	BRASS	BBR
-	-	-
-	-	-

PAGE 2/3	ISSUE 01-03-17A	SERIES N	PART NUMBER R161184000
-----------------	------------------------	-----------------	-------------------------------

PACKAGING

Standard 50	Unit Contact us	Other Contact us
-----------------------	---------------------------	----------------------------

ELECTRICAL CHARACTERISTICS

Impedance	50	Ω
Frequency	0-11	GHz
VSWR	1.90 + 0,0000	x F(GHz) Maxi
Insertion loss	0.07	√F(GHz) dB Maxi
RF leakage	- (NA)	- F(GHz) dB Maxi
Voltage rating	1400	Veff Maxi
Dielectric withstanding voltage	2500	Veff mini
Insulation resistance	5000	MΩ mini

MECHANICAL CHARACTERISTICS

Center contact retention		
Axial force – Mating End	27	N mini
Axial force – Opposite end	27	N mini
Torque	NA	N.cm mini
Recommended torque		
Mating	130	N.cm
Panel nut	NA	N.cm
Clamp nut	NA	N.cm
A/F clamp nut	0,0000	mm
Mating life	500	Cycles mini
Weight	3 763,0870	g

ENVIRONMENTAL

Operating temperature	-55/+155	°C
Hermetic seal	NA	Atm.cm3/s
Panel leakage	NA	

SPECIFICATION

CABLE ASSEMBLY

Stripping	a	b	c	d	e	f
mm	5	8	21	0	16	0

Assembly instruction:

Recommended cable(s)

RG 165
KX 4
RG 213

Characteristics indicated on this data sheet are those that can be achieved with the highest performance cable. Intrinsic limitations of the cable may diminish the performance of the assembly

Cable retention

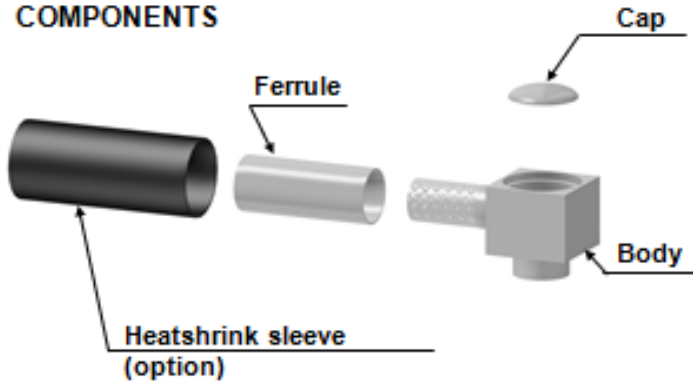
- pull off	300	N mini
- torque	NA	N.cm

TOOLING

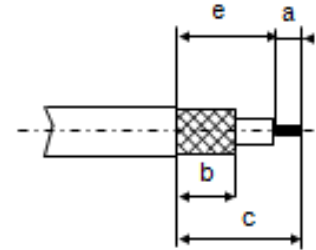
Part Number	Description	Hexagon
R282293000	CRIMPING TOOL M22520/5-01	-
R282235116	CRIMPING DIES	10.54 F(Y116 DANIELS)
R282231000	CRIMPING TOOL	10.54 F

OTHER CHARACTERISTICS

COMPONENTS

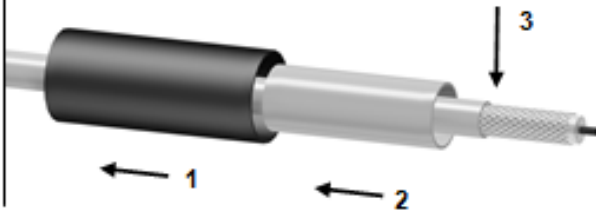


STRIPPING DIMENSIONS



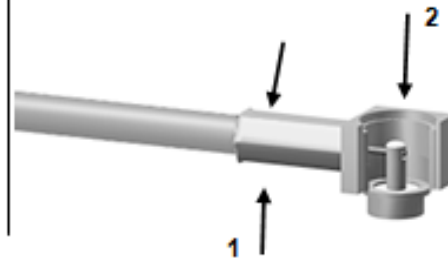
1

Slide the heatshrink sleeve onto the cable (Option).
Slide the ferrule onto the cable.
Strip the cable.



4

Crimp the ferrule with crimping tool (see connector TDS).
Solder the inner conductor.



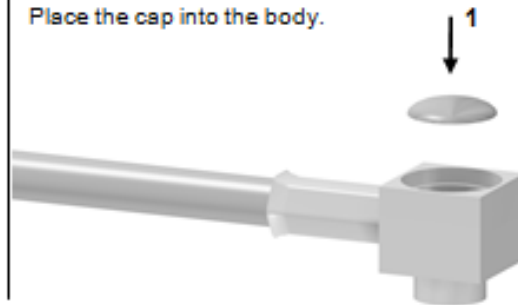
2

Fan the braid.



5

Place the cap into the body.



3

Push the connector body under the braid.
Slide the ferrule over the braid.



6

Press on the cap flush or slightly below the surface of the body assembly.
Slide the sleeve over the ferrule and heatshrink it in place (Option).

