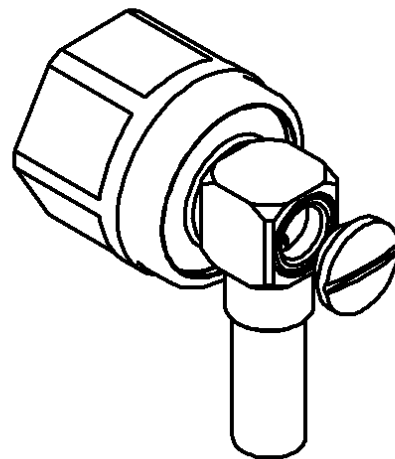
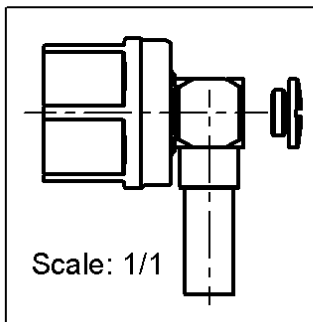
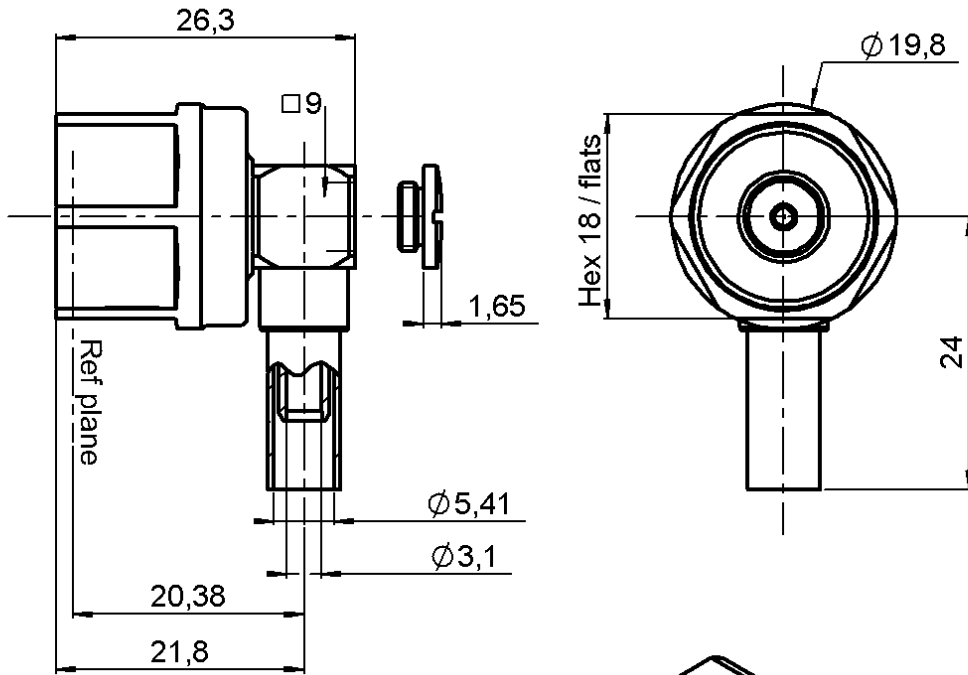


RIGHT ANGLE PLUG CRIMP TYPE

R161.182.230

CABLE 5/50 S

Series : N



All dimensions are in mm.

COMPONENTS	MATERIALS	PLATINGS (μm)
BODY	BRASS	BBR 2
CENTER CONTACT	BRASS	GOLD 1.3 OVER NICKEL 2
OUTER CONTACT	BRASS	BBR 0.5 OVER SILVER 3
INSULATOR	PTFE	
GASKET	SILICONE RUBBER	
OTHERS PARTS	BRASS	BBR 2
-	-	-
-	-	-

Issue : 0248 A

In the effort to improve our products, we reserve the right to make changes judged to be necessary.



RIGHT ANGLE PLUG CRIMP TYPE

R161.182.230

CABLE 5/50 S

Series : N

PACKAGING

Standard	Unit	Other
50	'W' option	Contact us

SPECIFICATION

ELECTRICAL CHARACTERISTICS

Impedance		50 Ω
Frequency		0-11 GHz
VSWR	1.7* +	0.000 x F(GHz) Maxi
Insertion loss		0.07 √F(GHz) dB Maxi
RF leakage	- (- F(GHz)) dB Maxi
Voltage rating		850 Veff Maxi
Dielectric withstanding voltage		1500 Veff mini
Insulation resistance		5000 MΩ mini

CABLE ASSEMBLY

Stripping	a	b	c	d	e	f
mm	3.50	7.00	18.0	0.00	14.5	0.00

Assembly instruction : **Crimp 07**

Recommended cable(s)
RG 58
SHF 142

Cable retention
- pull off **150** N mini
- torque **NA** N.cm

MECHANICAL CHARACTERISTICS

Center contact retention		
Axial force – Mating end	27	N mini
Axial force – Opposite end	27	N mini
Torque	NA	N.cm mini

TOOLING

Part Number	Description	Hexagon
.	.	.
R282.223.000	CRIMPING TOOL	5.41
R282.235.011	CRIMPING DIES	5.41
R282.293.000	CRIMPING TOOL	

Recommended torque		
Mating	170	N.cm
Panel nut	NA	N.cm
Clamp nut	NA	N.cm
A/F clamp nut	18.000	mm

OTHERS CHARACTERISTICS

* ROS : 1.7 de 0 à 8 GHz
ROS : 2.1 de 8 à 11 GHz

Mating life	500	Cycles mini
Weight	28.000	g

ENVIRONMENTAL

Operating temperature	-55/+155	° C
Hermetic seal	NA	Atm.cm3/s
Panel leakage	NA	

Issue : 0248 A

In the effort to improve our products, we reserve the right to make changes judged to be necessary.

