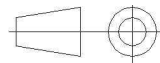
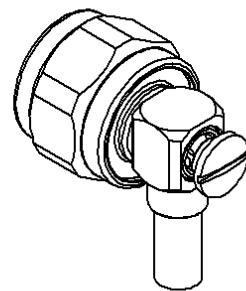
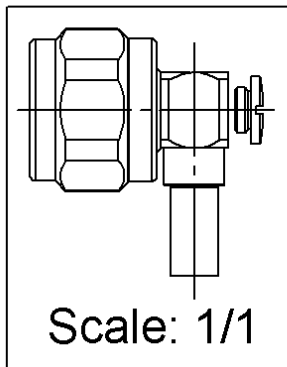
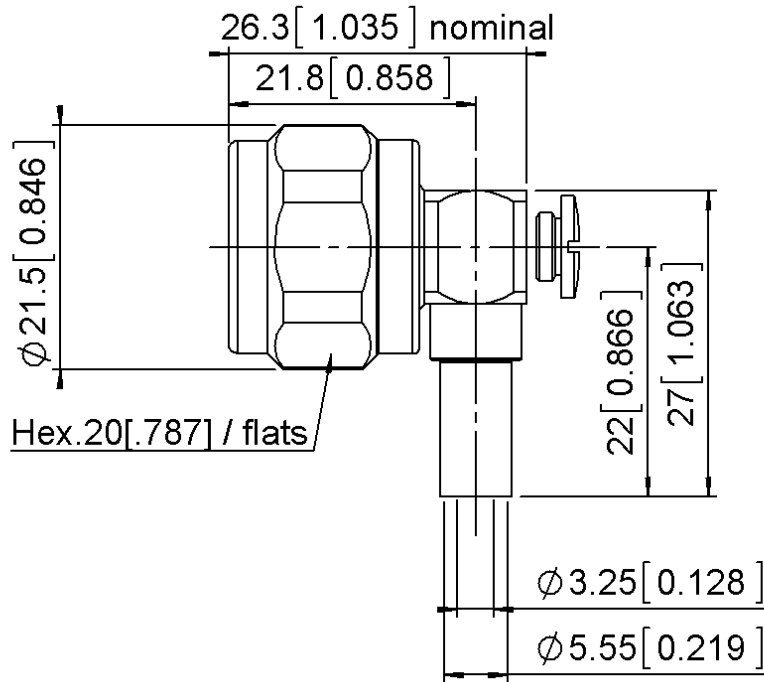


RIGHT ANGLE PLUG CRIMP TYPE

R161.182.080

CABLE 5/50S

Series : N



All dimensions are in mm.

| COMPONENTS | MATERIALS | PLATING (µm) |
|----------------|-----------------|------------------------|
| BODY | BRASS. | BBR2 |
| CENTER CONTACT | BRASS. | GOLD 0.2 OVER NICKEL 2 |
| OUTER CONTACT | BRASS. | BBR2 |
| INSULATOR | PTFE | |
| GASKET | SILICONE RUBBER | |
| OTHERS PARTS | BRASS. | BBR2 |
| - | - | - |
| - | - | - |

Issue : 1307 A

In the effort to improve our products, we reserve the right to make changes judged to be necessary.



RIGHT ANGLE PLUG CRIMP TYPE

R161.182.080

CABLE 5/50S

Series : N

PACKAGING

| Standard | Unit | Other |
|-----------|-------------------|-------------------|
| 50 | 'W' option | Contact us |

SPECIFICATION

ELECTRICAL CHARACTERISTICS

| | | |
|---------------------------------|---------------------|--------------------------|
| Impedance | 50 | Ω |
| Frequency | 0-11 | GHz |
| VSWR | TBD + 0,0000 | x F(GHz) Maxi |
| Insertion loss | TBD | \sqrt{F} (GHz) dB Maxi |
| RF leakage | - (101) | - F(GHz)) dB Maxi |
| Voltage rating | 1400 | Veff Maxi |
| Dielectric withstanding voltage | 2500 | Veff mini |
| Insulation resistance | 5000 | M Ω mini |

CABLE ASSEMBLY

| Stripping | a | b | c | d | e | f |
|-----------|------|------|------|------|------|------|
| mm | 4,70 | 6,30 | 17,3 | 0,00 | 12,6 | 0,00 |

Assembly instruction : **Crimp 05**

Recommended cable(s)

LMR 200

AEP-200FR

Characteristics indicated on this data sheet are those that can be achieved with the highest performance cable. Intrinsic limitations of the cable may diminish the performance of the assembly

Cable retention

- pull off **180** N mini
- torque **NA** N.cm

MECHANICAL CHARACTERISTICS

| | | |
|----------------------------|-----------|-----------|
| Center contact retention | | |
| Axial force – Mating end | 27 | N mini |
| Axial force – Opposite end | 27 | N mini |
| Torque | NA | N.cm mini |

TOOLING

| Part Number | Description | Hexagon |
|--------------|---------------|---------|
| . | . | . |
| R282.223.000 | CRIMPING TOOL | 5.41 |

| | | |
|--------------------|---------------|------|
| Recommended torque | | |
| Mating | 130 | N.cm |
| Panel nut | NA | N.cm |
| Clamp nut | NA | N.cm |
| A/F clamp nut | 0,0000 | mm |

OTHER CHARACTERISTICS

| | | |
|-------------|----------------|-------------|
| Mating life | 500 | Cycles mini |
| Weight | 32,9400 | g |

ENVIRONMENTAL

| | | |
|-----------------------|-----------------|--------------|
| Operating temperature | -55/+155 | $^{\circ}$ C |
| Hermetic seal | NA | Atm.cm3/s |
| Panel leakage | NA | |

Issue : 1307 A

In the effort to improve our products, we reserve the right to make changes judged to be necessary.

