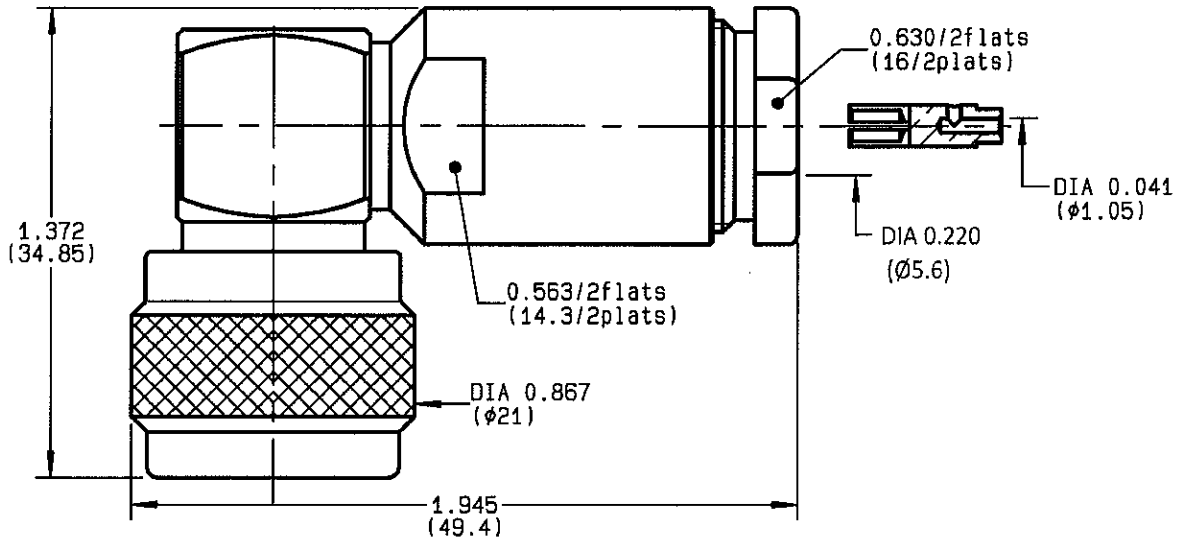


**RIGHT ANGLE PLUG CLAMP TYPE
CABLE 5/50 S+D**

R161.156.000
SERIES **N**



NOMINAL IMPEDANCE	50 Ω
FREQUENCY RANGE	0-11 GHz
TEMPERATURE RATING	-55/+155 °C
V.S.W.R	1.50 + x F(GHz)Maxi
RF INSERTION LOSS	0.07 √F(GHz) dB Maxi
VOLTAGE RATING	850 Veff Maxi
DIELECTRIC WITHSTANDING VOLTAGE	1500 Veff Mini
INSULATION RESISTANCE	5000 MΩMini
HERMETIC SEAL	NA Atm.cm ³ /s
LEAKAGE (pressurized only)	NA
MECHANICAL DURABILITY	500 Cycles
WEIGHT	81.4 gr
SPECIFICATION	DHS 795.324

CABLES :	KX 15
	KX 23
	RG 141
	RG 142
	RG 142 FTX
	RG 223
	RG 400
	RG 58

OTHERS CHARACTERISTICS	
CABLE RETENTION	150 N Mini
CENTER CONTACT RETENTION	
Axial force - mating end	27 N Mini
Axial force - opposite end	27 N Mini
Torque	NA cm.N Mini
RECOMMENDED TORQUES	
Mating	130 cm.N
Panel nut	NA cm.N
Clamp nut	450 cm.N

CONNECTOR PARTS	MATERIALS	FINISH	(all values are given in micrometers)
BODY	BRASS	BBR 2	
OUTER CONTACT	BRASS	BBR 2	
CENTER CONTACT	BRASS	GOLD 0.5 OVER NICKEL 2	
INSULATOR	PTFE	-	
GASKET	SILICONE RUBBER	-	
OTHERS PIECES	BRASS	BBR 2	

ISSUE
1117 S

CREATION DATE
18/02/1993

FILE PART-NUMBER
EPC 96-07



RADIALL®

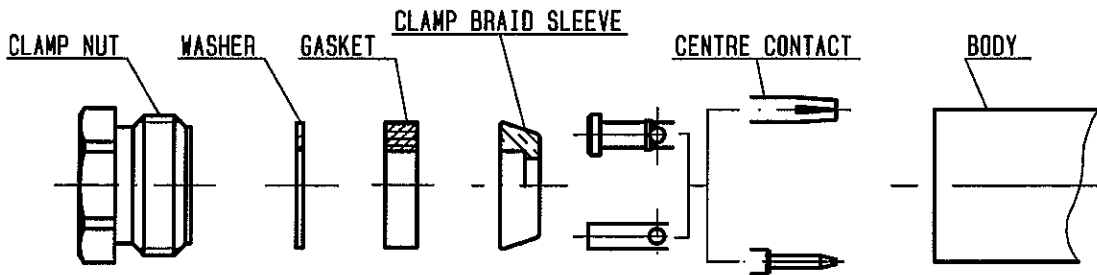
BONDIMINT

The information given here is subject to change without notice.
Design changes may be in order to improve the product.

Connect to the future



R161.156.000
 ISSUE 1117S SERIES N



①

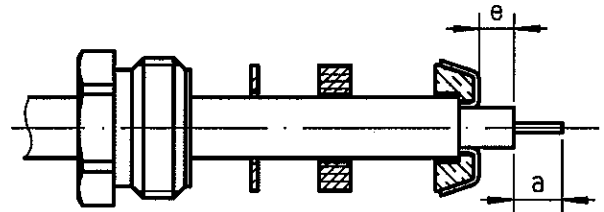
Strip the cable .
 -
 -
 -



Stripping	a	b	c	d	e
inch	0.157	0.335	0	0	0.039
mm	4	8.5			1

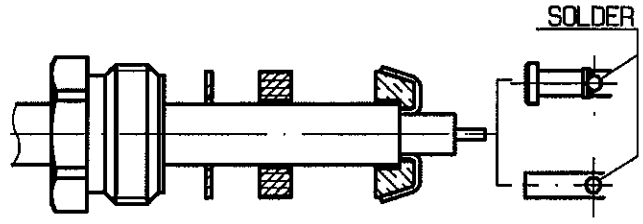
②

Slide the clamp nut , the washer and the gasket onto the cable .
 Slide clamp braid sleeve over braid .
 Fold back braid and trim off surplus braid .
 Trim back dielectric as shown .
 -
 -
 -



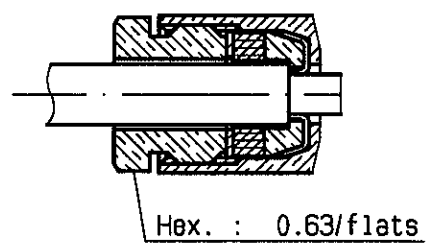
③

Solder the cable inner conductor into centre contact .
 -
 -
 -
 -
 -



④

Screw sub-assembly into the connector body .
 (recommended coupling torque 44.25 in.lb)
 -
 -



BONOMINI