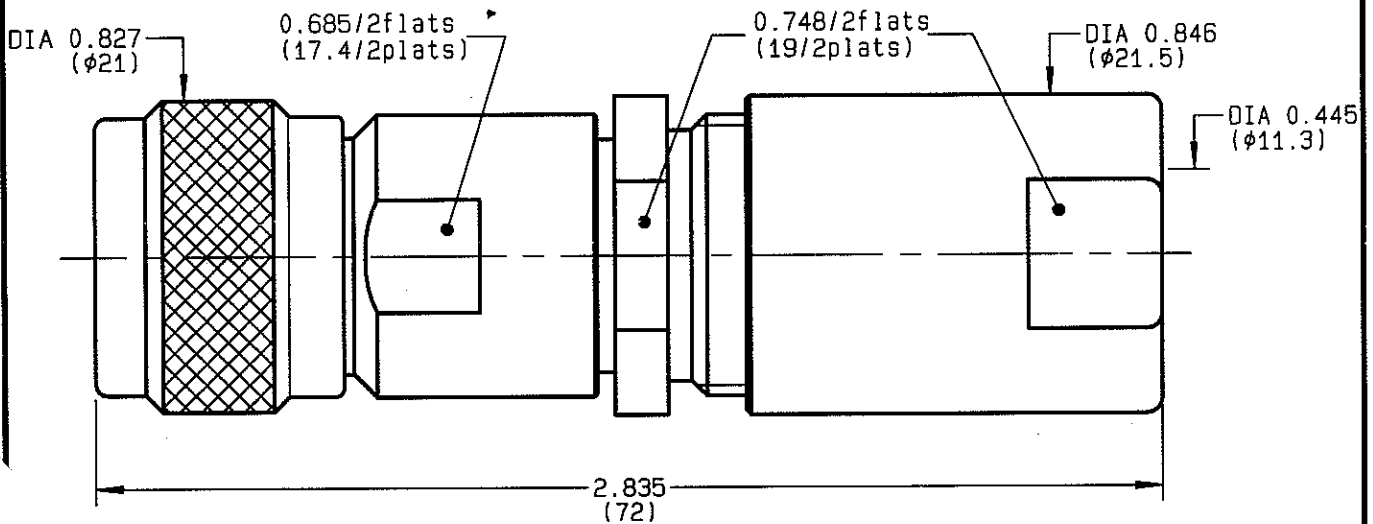


**STRAIGHT PLUG ARMOURING CLAMP
CABLE 15.4/50 MP**

R161.034.450
SERIES N



NOMINAL IMPEDANCE	50 Ω
FREQUENCY RANGE	0-11 GHz
TEMPERATURE RATING	-55/+155 °C
V.S.W.R	1.30 + x F(GHz)Maxi
RF INSERTION LOSS	.048 √F(GHz) dB Maxi
VOLTAGE RATING	1400 Veff Maxi
DIELECTRIC WITHSTANDING VOLTAGE	2500 Veff Mini
INSULATION RESISTANCE	5000 M.ΩMini
HERMETIC SEAL	NA Atm.cm ³ /s
LEAKAGE (pressurized only)	NA
MECHANICAL DURABILITY	500 Cycles
WEIGHT	99.7 gr
SPECIFICATION	

CABLES :	
OTHERS CHARACTERISTICS	
CABLE RETENTION	300 N Mini
CENTER CONTACT RETENTION	
Axial force - mating end	68 N Mini
Axial force - opposite end	68 N Mini
Torque	NA cm.N Mini
RECOMMENDED TORQUES	
Mating	130 cm.N
Panel nut	NA cm.N
Clamp nut	800 cm.N

CONNECTOR PARTS	MATERIALS	FINISH (all values are given in micrometers)
BODY	BRASS	BLACK-CHROMIUM 0.2 OVER NICKEL 2
OUTER CONTACT	BRASS	BBR 2
CENTER CONTACT	BRASS	GOLD 0.5 OVER NICKEL 2
INSULATOR	PTFE	-
GASKET	SILICONE RUBBER	-
OTHERS PIECES	BRASS	BLACK-CHROMIUM 0.2 OVER NICKEL 2

BONDING

ISSUE	CREATION DATE	FILE PART-NUMBER
9822E00	13-MAY-93	92-0019-081



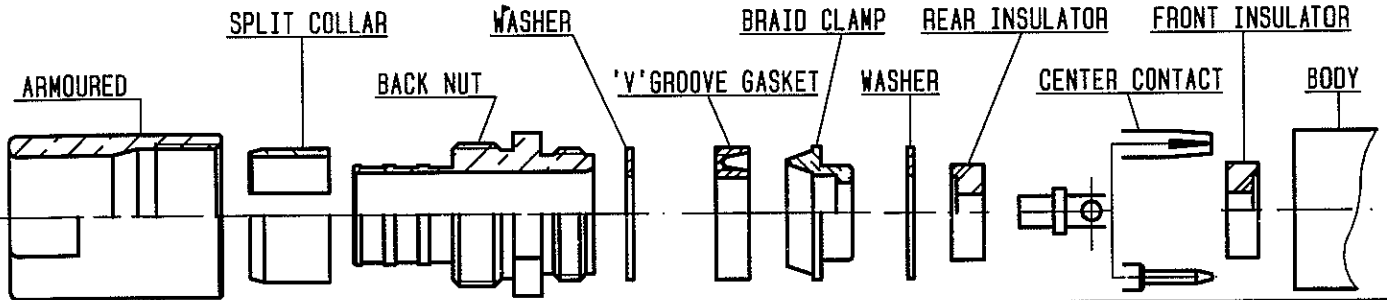
The information given here is subject to change without notice.
Design changes may be in order to improve the product.

Connect to the future



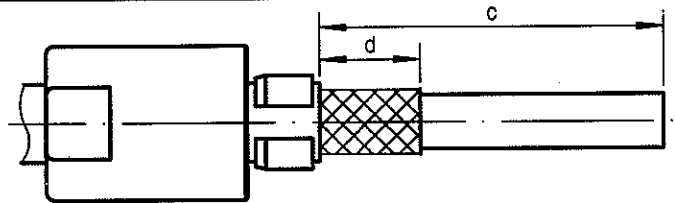
R161.034.450

ISSUE 9822E00 SERIES N



①

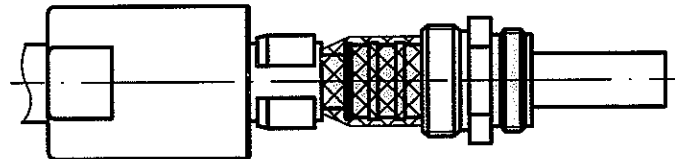
Slide the armoured and split collar over the cable .
Strip the armoured .



Stripping	a	b	c	d	e
inch	0.197	0.433	1.969	0.551	0.079
mm	5	11	50	14	2

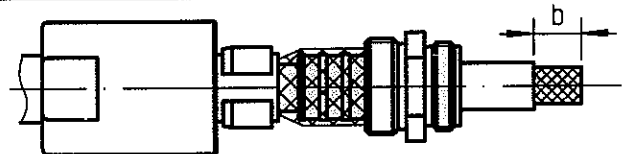
②

Slide the back nut .

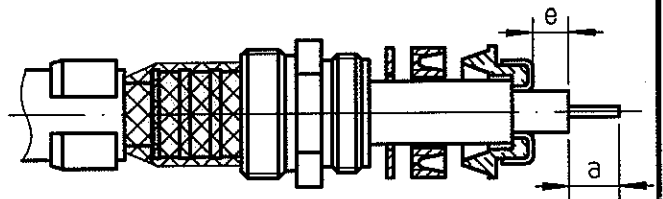


③

Strip the braid .

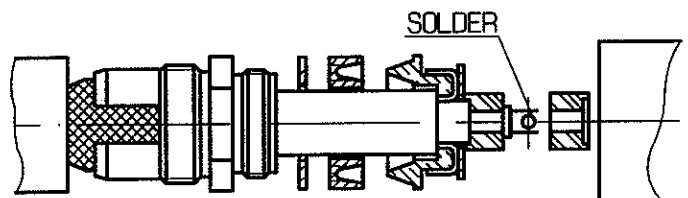


Slide the washer and the 'V'groove gasket.
Slide braid clamp over braid .
Fold back braid and trim off excess of braid .
Trim back dielectric .



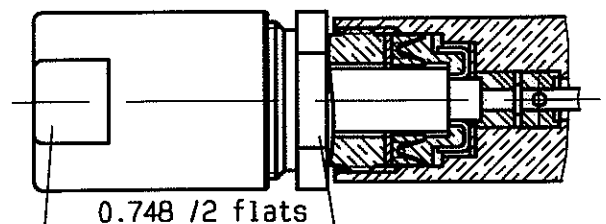
④

Slide washer and rear insulator .
Solder the cable inner conductor into centre contact .
Mount front insulator .
Screw sub-assembly into the connector body .
(recommended coupling torque 70.87 in.lb)



⑤

Screw the armoured .
(recommended coupling torque 70.87 in.lb)



0.748 /2 flats